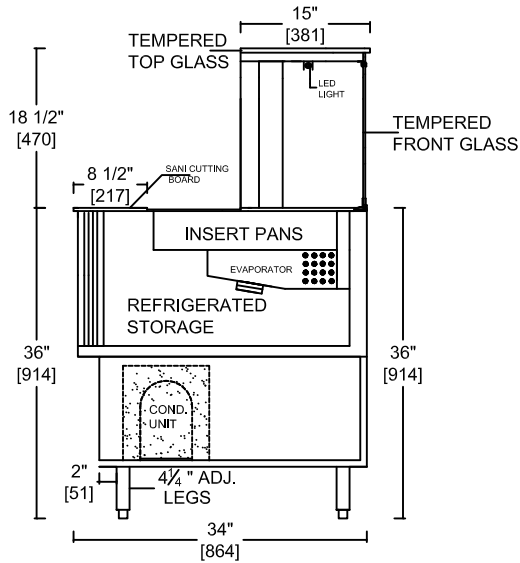
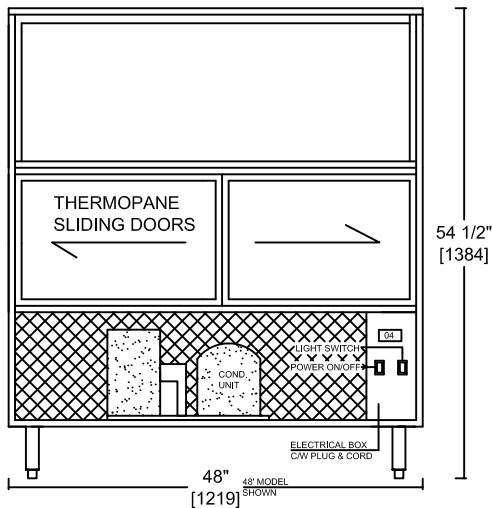
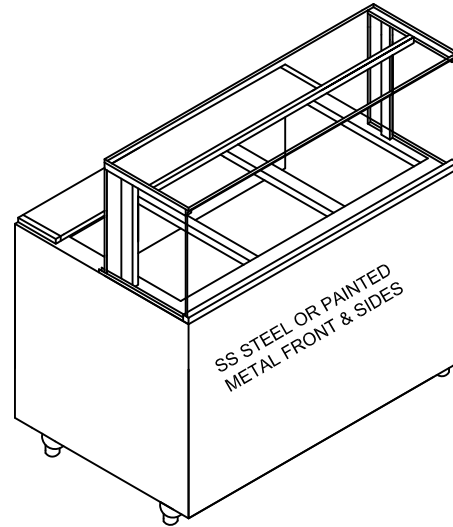


# TRADITIONAL CAFETERIA COLD TABLE - TC1

PROJECT \_\_\_\_\_ ITEM \_\_\_\_\_ QTY \_\_\_\_\_



SECTION



REAR VIEW

## SPECIFICATION DUAL CASE SELF CONTAINED

| MODEL  | LENGTH      | H.P. | REF. | VOLTS | AMPS | PLUG  | WT. |
|--------|-------------|------|------|-------|------|-------|-----|
| TC-36C | 36"( 914MM) | 1/3  | 134A | 115   | 9.0  | 5-15P | 440 |
| TC-48C | 48"(1524MM) | 1/3  | 134A | 115   | 10.0 | 5-15P | 560 |
| TC-60C | 60"(1880MM) | 1/3  | 134A | 115   | 10.5 | 5-15P | 670 |
| TC-72C | 72"(1829MM) | 1/2  | 134A | 115   | 12.0 | 5-20P | 780 |
| TC-96C | 96"(2438MM) | 1/2  | 134A | 115   | 13.0 | 5-20P | 780 |

\* All specification subject to change without notice.

\*\* Case is designed to operate under normal store conditions of 24 degree C( 75 degree F ) with 50% R.H. Case must not be placed under direct sunlight, extreme temperature changes, air conditioning diffusers, rapid air currents, ovens, ceiling fans etc. It will effect case temperature. Refrigerated Cases are designed to maintained pre chilled products. Products entering above 4 degrees Celcius ( 41 degrees Farenheit) can affect the temperature in the entire cabinet. Any adverse field conditions stated above will void warranty.



## SMART COOLING CONCEPTS INC.

11-14 MELENIE DRIVE, BRAMPTON, ONT. L6T 4L3

Tell: 905-458-5340, Fax: 905-458-4424, Toll Free: 1-855-458-5840

Website: smartcoolingconcepts.com. email: garysohi@smartcoolingconcepts.com