

PASSION REF. COUNTER TOP DROP IN - P6

LENGTHS: 24"L, 38"L, 48"L, 60"L, 74"L, 94"L DEPTH: 28 $\frac{1}{8}$ " HEIGHT: 29 $\frac{3}{4}$ " FROM COUNTERTOP



MODEL : P6-94R

STANDARD FEATURES

1. LED top light.
2. Tempered glass shelves c/w LED lights.
3. Tilt out front curved safety glass.
4. Front glass defogging system.
5. Clear anodized framework.
6. Thermo pane sliding doors.
7. Laminated plywood construction c/w stainless steel interior.
8. Exterior and trim plastic laminate - black.
9. Fan assisted self-contained refrigeration with hot gas condensate pan.
10. Smart digital temperature control with auto defrost.
11. 8' plug and cord.
12. 1 year parts and labour warranty.
13. CSA SPE-1000 code for electrical safety.

OPTIONAL FEATURES

1. Custom exterior plastic laminate of choice.
2. Powder coated framework of choice.
3. Bumpers on front and sides.
4. Side glass defogging system.
5. Remote refrigeration.
6. Call factory for other options.

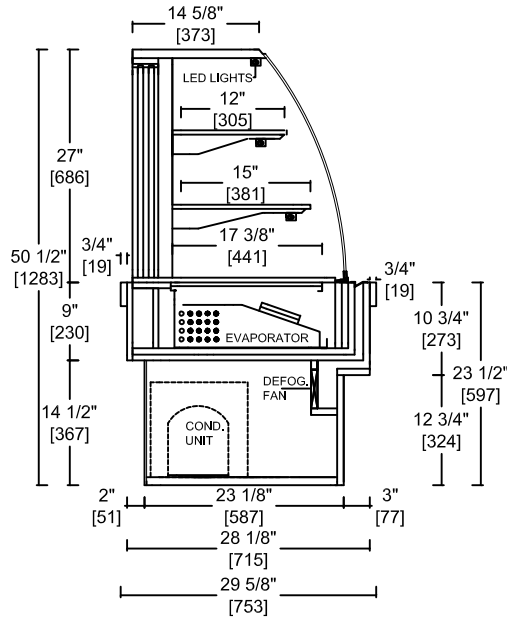


SMART COOLING CONCEPTS INC.

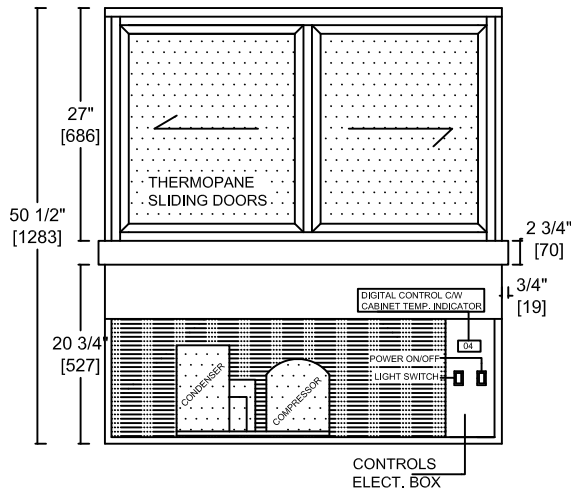
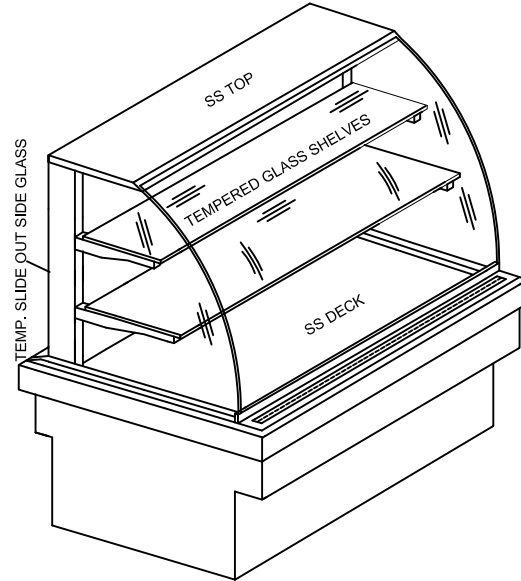
14 MELANIE DR., UNIT 11, BRAMPTON, ON, CANADA, L6T 4L3
Tell: 905-458-5340, Fax: 905-458-4424, Toll Free: 1-855-458-5840
smartcoolingconcepts.com. email:garysohi@smartcoolingconcepts.com

PASSION REF. COUNTERTOP DROP-IN CASE - P6

PROJECT _____ ITEM _____ QTY _____



SECTION



REAR VIEW

SPECIFICATION

REFRIGERATED SELF CONTAINED

MODEL	LENGTH	H.P.	REF.	VOLTS	AMPS	CUT OUT	WT.
P6-24R*	24"(610MM)	1/3	134A	115	9.0	24 1/4" X 28 3/8"	290
P6-38R	38"(965MM)	1/3	134A	115	9.5	36 1/4" X 28 3/8"	390
P6-48R	48"(1219MM)	1/3	134A	115	10.0	46 1/4" X 28 3/8"	470
P6-60R	60"(1524MM)	1/2	134A	115	12.0	58 1/4" X 28 3/8"	590
P6-74R	74"(1880MM)	1/2	134A	115	12.5	72 1/4" X 28 3/8"	680
P6-94R	94"(2388MM)	1/2	134A	115	13.5	92 1/4" X 28 3/8"	770

* Air intake grille at front.

** All specification subject to change without notice.

Case is designed to operate under normal store conditions of 24 degree C (75 degree F) with 50% R.H. Case must not be placed under direct sunlight, extreme temperature changes, air conditioning diffusers, rapid air currents ,ovens , ceiling fans etc. It will effect case temperature. Refrigerated Cases are designed to maintained pre chilled products. Products entering above 4 degrees Celsius (41 degrees Fahrenheit) can affect the temperature in the entire cabinet. Any adverse field conditions stated above will void warranty. Front glass can fog up under hot and humid conditions.



SMART COOLING CONCEPTS INC.

14 MELANIE DR., UNIT 11, BRAMPTON, ON, CANADA, L6T 4L3

Tell: 905-458-5340, Fax: 905-458-4424, Toll Free: 1-855-458-5840

smartcoolingconcepts.com. email:garysohi@smartcoolingconcepts.com