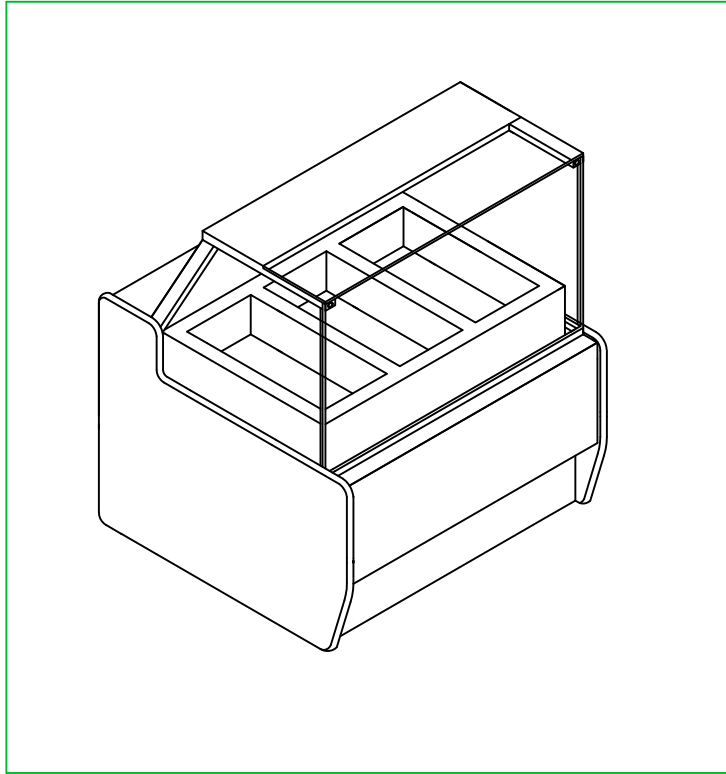


TRADITIONAL HOT FOOD TABLE - T3

LENGTHS; 38"L , 48"L, 60"L, 74"L , 94"L

DEPTH: 44½ "

HEIGHT: 51½



STANDARD FEATURES

1. LED top light.
2. Tilt out front safety glass.
3. Clear anodized framework.
4. Laminated plywood construction c/w stainless steel interior.
5. Exterior and trim plastic laminate - black.
6. 1 year parts and labour warranty.
7. CSA SPE-1000 code for electrical safety.

OPTIONAL FEATURES

1. Custom exterior plastic laminate of choice.
2. Powder coated framework of choice.
3. Adjustable legs (consult factory for size).
4. Heavy duty casters(height increase by 4").
5. Bumpers on front and sides.
6. Call factory for other options.

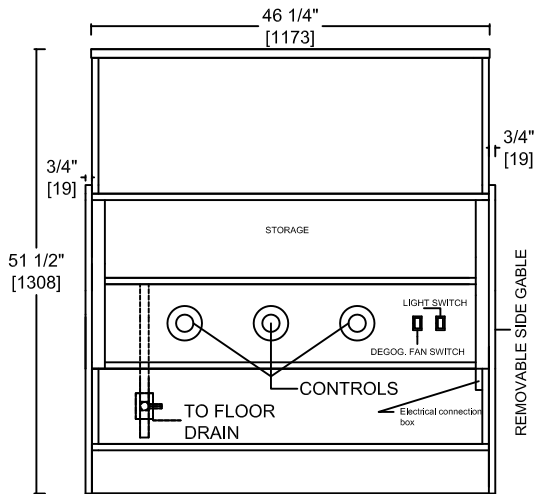
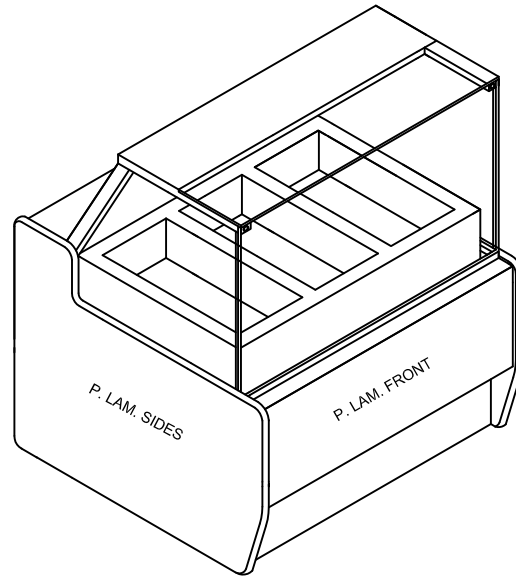
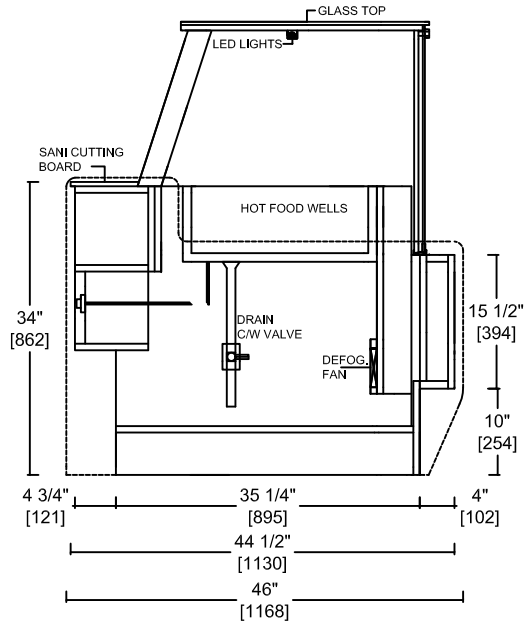


SMART COOLING CONCEPTS INC.

14 MELANIE DR., UNIT 11, BRAMPTON, ON, CANADA, L6T 4L3
Tell: 905-458-5340, Fax: 905-458-4424, Toll Free: 1-855-458-5840
smartcoolingconcepts.com. email:garysohi@smartcoolingconcepts.com

TRADITIONAL HOT FOOD TABLE - T3

PROJECT _____ ITEM _____ QTY _____



REAR VIEW 48" LONG UNIT SHOWN

SPECIFICATION HOT FOOD TABLE

| MODEL | LENGTH | VOLTS | PHASE | HZ | AMPS | WT. |
|----------|-------------|-------|-------|----|------|-----|
| T3-36-2H | 36"(914MM) | 230 | 1 | 60 | 12.0 | 410 |
| T3-48-3H | 48"(1219MM) | 230 | 1 | 60 | 18.0 | 470 |
| T3-60-4H | 60"(1524MM) | 230 | 1 | 60 | 24.0 | 560 |
| T3-72-5H | 72"(1829MM) | 230 | 1 | 60 | 30.0 | 640 |
| T3-96-6H | 96"(2438MM) | 230 | 1 | 60 | 36.0 | 810 |

* All specification subject to change without notice.



SMART COOLING CONCEPTS INC.

14 MELANIE DR., UNIT 11, BRAMPTON, ON, CANADA, L6T 4L3
 Tell: 905-458-5340, Fax: 905-458-4424, Toll Free: 1-855-458-5840
 smartcoolingconcepts.com. email:garysohi@smartcoolingconcepts.com