

PASSION MULTI DECK REF. GRAVITY CASE - P5

LENGTHS; 38"L , 48"L, 60"L, 74"L , 94"L

DEPTH: 32 "

HEIGHT: 48"



STANDARD FEATURES

1. Top T5 light.
2. Powder coated white shelves .
3. Tilt out front curved safety glass.
4. Clear anodized framework.
5. Thermo pane sliding doors.
6. Plywood construction with exterior laminated-black.
7. Interior plastic laminate - white.
8. Gravity cooled self-contained refrigeration with hot gas condensate pan.
9. **Smart** digital temperature control with auto defrost.
10. 8 ' plug and cord.
11. 1 year parts and labour warranty.
12. CSA SPE-1000 code for electrical safety.

OPTIONAL FEATURES

1. Custom exterior plastic laminate of choice.
2. Powder coated framework of choice.
3. T5 Shelf lights.
4. **LED** top and shelf lights.
5. Mirrored inside ends.
6. Adjustable legs (consult factory for size).
7. Heavy duty casters(height increase by 4").
8. Bumpers on front and sides.
- 9.Remote refrigeration.
- 10.Call factory for other options.

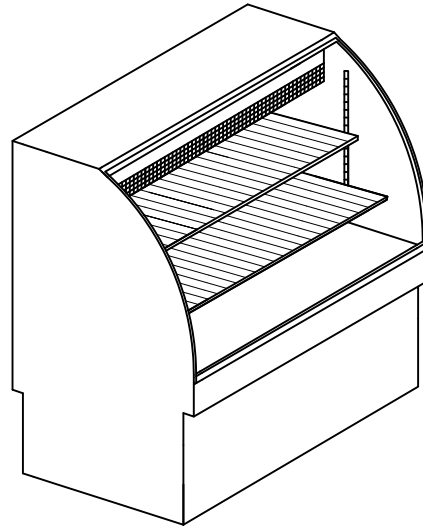
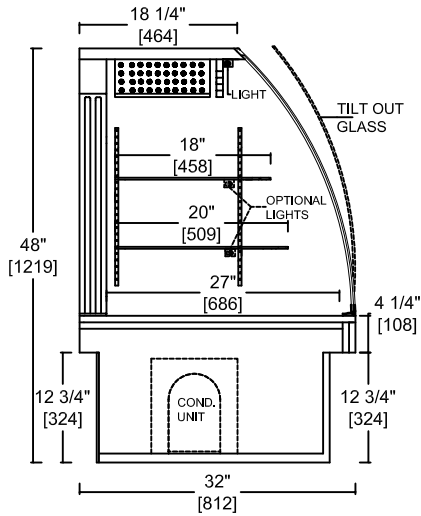


SMART COOLING CONCEPTS INC.

14 MELANIE DR., UNIT 11, BRAMPTON, ON, CANADA, L6T 4L3
Tell: 905-458-5340, Fax: 905-458-4424, Toll Free: 1-855-458-5840
smartcoolingconcepts.com. email:garysohi@smartcoolingconcepts.com

PASSION MULTI DECK REF. GRAVITY CASE - P5

PROJECT _____ ITEM _____ QTY _____

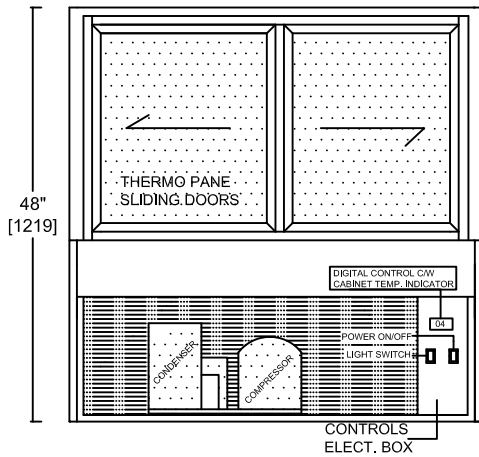


SPECIFICATION

REFRIGERATED SELF CONTAINED

MODEL	LENGTH	H.P.	REF.	VOLTS	AMPS	PLUG	WT.
P5-38RG	38"(965MM)	1/3	134A	115	9.0	5-15P	490
P5-48RG	48"(1219MM)	1/3	134A	115	10.0	5-15P	570
P5-60RG	60"(1524MM)	1/3	134A	115	11.0	5-15P	690
P5-74RG	74"(1880MM)	1/3	134A	115	12.0	5-15P	780
P5-94RG	94"(2388MM)	1/2	134A	115	13.0	5-20P	860

- * All specification subject to change without notice.
- ** Case is designed to operate under normal store conditions of 24 degree C (75 degree F) with 50% R.H. Case must not be placed under direct sunlight, extreme temperature changes, air conditioning diffusers, rapid air currents ,ovens , ceiling fans etc. It will effect case temperature. Refrigerated Cases are designed to maintained pre chilled products. Products entering above 4 degrees Celsius (41 degrees Fahrenheit) can affect the temperature in the entire cabinet. Any adverse field conditions stated above will void warranty. Front glass can fog up under hot and humid conditions.



REAR VEIW 48" LONG UNIT SHOWN



SMART COOLING CONCEPTS INC.

14 MELANIE DR., UNIT 11, BRAMPTON, ON, CANADA, L6T 4L3
 Tell: 905-458-5340, Fax: 905-458-4424, Toll Free: 1-855-458-5840
 smartcoolingconcepts.com. email:garysohi@smartcoolingconcepts.com