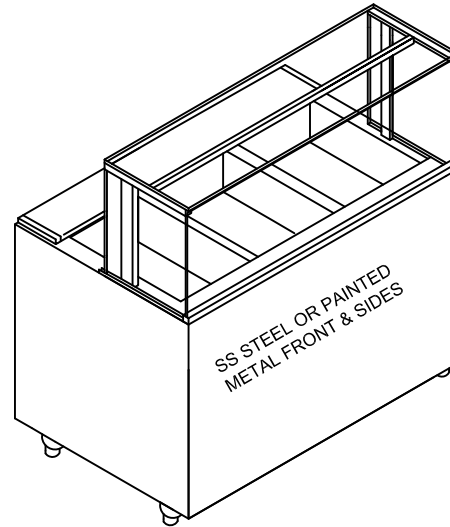
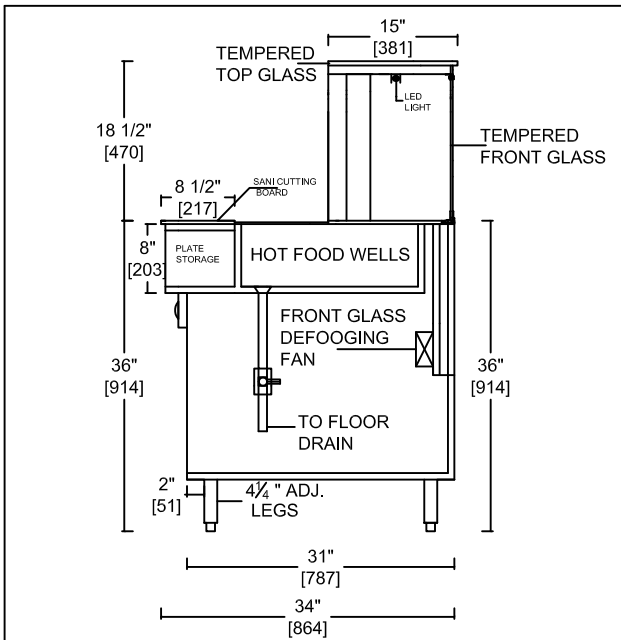
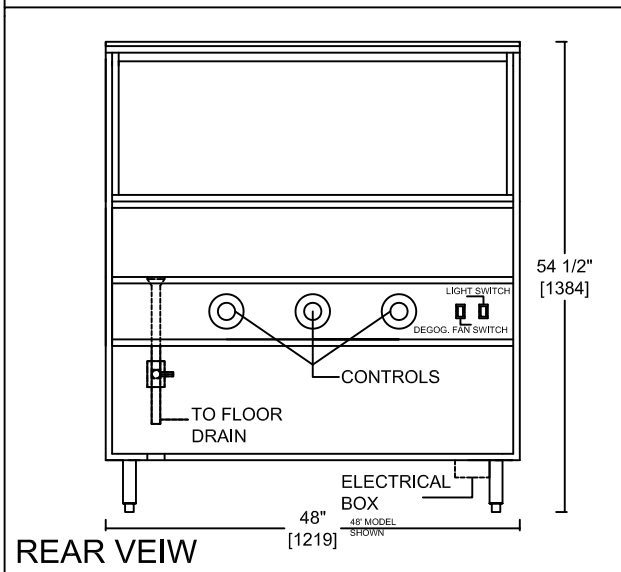


TRADITIONAL CAFETERIA HOT TABLE - TC1

PROJECT _____ ITEM _____ QTY _____



SECTION



REAR VIEW

SPECIFICATION HOT FOOD TABLE

MODEL	LENGTH	VOLTS	PHASE	HZ	AMPS	WT.
TC-36-2H	36"(914MM)	230	1	60	12.0	410
TC-48-3H	48"(1219MM)	230	1	60	18.0	470
TC-60-4H	60"(1524MM)	230	1	60	24.0	560
TC-72-5H	72"(1829MM)	230	1	60	30.0	640
TC-96-6H	96"(2438MM)	230	1	60	36.0	810

* All specification subject to change without notice.



SMART COOLING CONCEPTS INC.

11-14 MELENIE DRIVE, BRAMPTON, ONT. L6T 4L3
 Tell: 905-458-5340, Fax: 905-458-4424, Toll Free: 1-855-458-5840
 Website: smartcoolingconcepts.com. email: garysohi@smartcoolingconcepts.com