

TRADITIONAL MULTI DECK DRY. CASE - T1

LENGTHS; 38"L , 48"L, 60"L, 74"L , 94"L

DEPTH: 32"

HEIGHT: 50½ "



STANDARD FEATURES

1. LED top light.
2. Tempered glass shelves c/w LED lights.
3. Tilt out front safety glass.
4. Clear anodized framework.
5. Laminated plywood construction c/w stainless steel interior.
6. Exterior and trim plastic laminate - black.
7. 8' plug and cord.
8. 1 year parts and labour warranty.
9. CSA SPE-1000 code for electrical safety.

OPTIONAL FEATURES

1. Custom exterior plastic laminate of choice.
2. Powder coated framework of choice.
3. Adjustable legs (consult factory for size).
4. Heavy duty casters(height increase by 4").
5. Bumpers on front and sides.
6. Fixed UV bonding glass for clean look.
7. Call factory for other options.

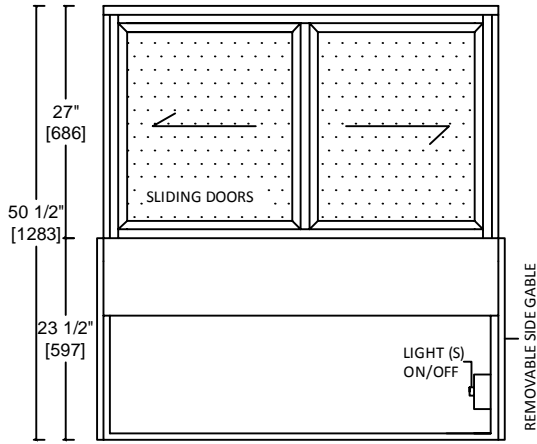
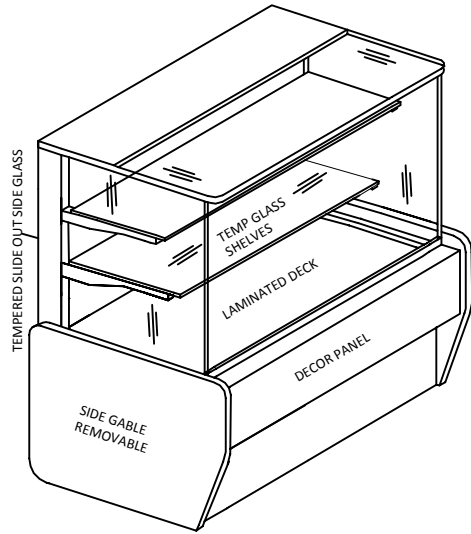
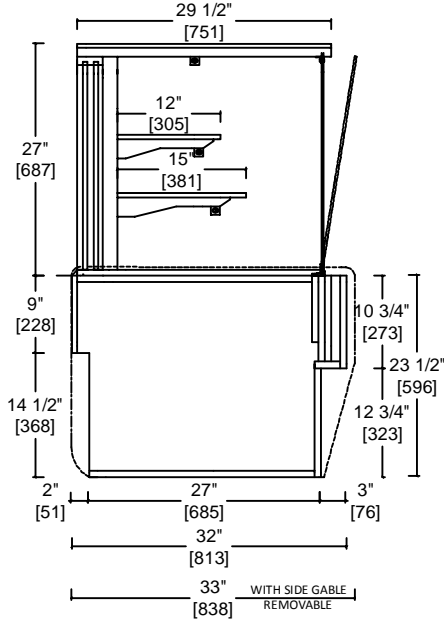


SMART COOLING CONCEPTS INC.

14 MELANIE DR., UNIT 11, BRAMPTON, ON, CANADA, L6T 4L3
Tell: 905-458-5340, Fax: 905-458-4424, Toll Free: 1-855-458-5840
smartcoolingconcepts.com. email:garysohi@smartcoolingconcepts.com

TRADITIONAL MULTI DECK DRY CASE - T1

PROJECT _____ ITEM _____ QTY _____



REAR VEIW 48" LONG UNIT SHOWN

SPECIFICATION DRY DISPLAY CASE

MODEL	LENGTH	VOLTS	AMPS	PLUG	WT.
T1-38D	38"(965MM)	115	1.0	5-15P	290
T1-48D	48"(1219MM)	115	1.5	5-15P	370
T1-60D	60"(1524MM)	115	2.0	5-15P	420
T1-74D	74"(1880MM)	115	2.5	5-15P	490
T1-94D	94"(2388MM)	115	4.0	5-15P	610

* All specification subject to change without notice.



SMART COOLING CONCEPTS INC.
 14 MELANIE DR., UNIT 11, BRAMPTON, ON, CANADA, L6T 4L3
 Tell: 905-458-5340, Fax: 905-458-4424, Toll Free: 1-855-458-5840
 smartcoolingconcepts.com. email:garysohi@smartcoolingconcepts.com