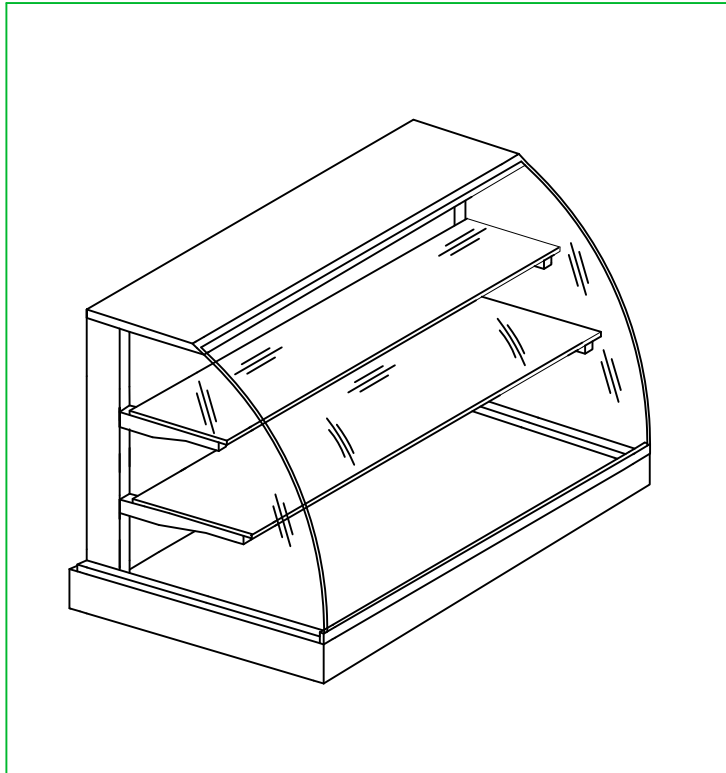


PASSION COUNTER TOP DRY CASE - P6

LENGTHS: 24"L, 38"L, 48"L, 60"L, 74"L, 94"L

DEPTH: 24⁵/₈ "

HEIGHT: 29³/₄ "



STANDARD FEATURES

1. LED top light.
2. Tempered glass shelves c/w LED lights.
3. Tilt out front curved safety glass.
4. Clear anodized framework.
5. Laminated plywood construction.
6. Exterior and trim plastic laminate - black.
7. 8' plug and cord.
8. 1 year parts and labour warranty.
9. CSA SPE-1000 code for electrical safety.

OPTIONAL FEATURES

1. Custom exterior plastic laminate of choice.
2. Powder coated framework of choice.
3. Call factory for other options.

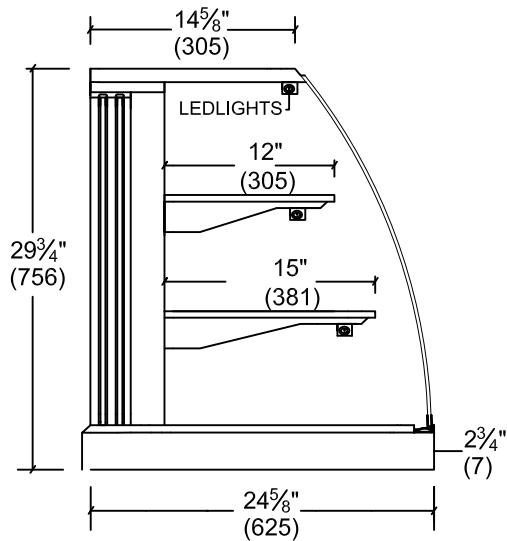


SMART COOLING CONCEPTS INC.

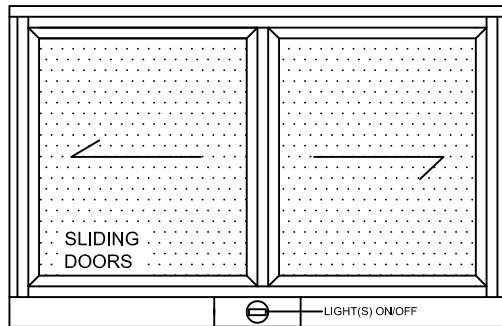
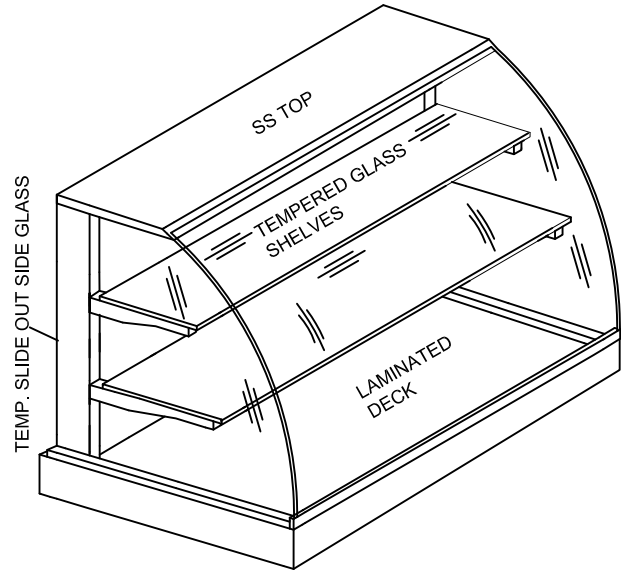
14 MELANIE DR., UNIT 11, BRAMPTON, ON, CANADA, L6T 4L3
Tell: 905-458-5340, Fax: 905-458-4424, Toll Free: 1-855-458-5840
smartcoolingconcepts.com. email:garysohi@smartcoolingconcepts.com

PASSION COUNTERTOP DRY CASE - P6

PROJECT _____ ITEM _____ QTY _____



SECTION



48 " LONG CASE SHOWN

REAR VEIW

SPECIFICATION

DRY DISPLAY CASE

MODEL	LENGTH	VOLTS	AMPS	PLUG	WT.
P6-24D	24"(610MM)	115	1.0	5-15P	90
P6-38D	38"(965MM)	115	1.0	5-15P	90
P6-48D	48"(1219MM)	115	1.5	5-15P	120
P6-60D	60"(1524MM)	115	2.0	5-15P	190
P6-74D	74"(1880MM)	115	2.5	5-15P	280
P6-94D	94"(2388MM)	115	4.0	5-15P	380

* All specification subject to change without notice.



SMART COOLING CONCEPTS INC.

14 MELANIE DR., UNIT 11, BRAMPTON, ON, CANADA, L6T 4L3
 Tell: 905-458-5340, Fax: 905-458-4424, Toll Free: 1-855-458-5840
 smartcoolingconcepts.com. email:garysohi@smartcoolingconcepts.com