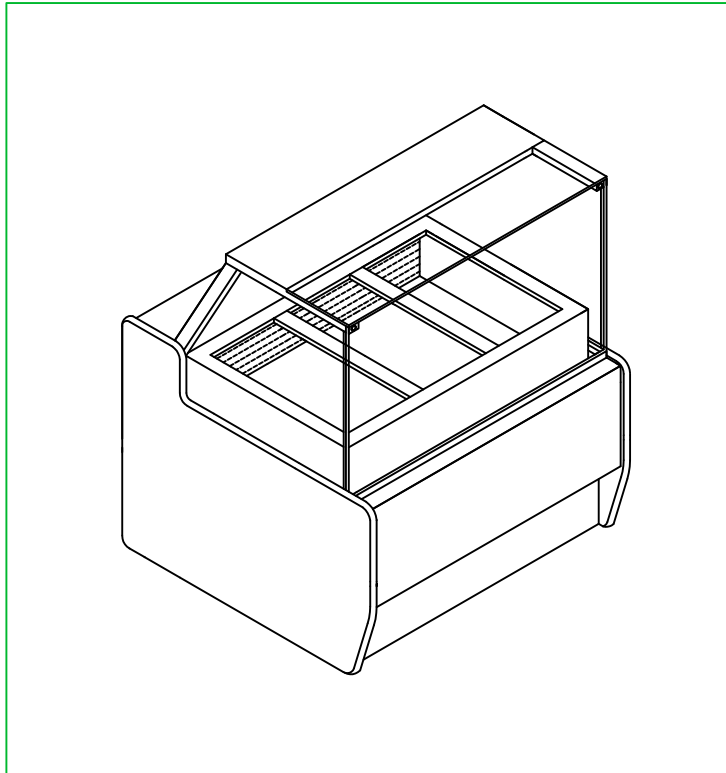


# TRADITIONAL COLD FOOD TABLE - T3

LENGTHS; 38"L , 48"L, 60"L, 74"L , 94"L

DEPTH: 44½ "

HEIGHT: 51½



## STANDARD FEATURES

1. LED top light.
2. Tilt out front safety glass.
3. Clear anodized framework.
4. Laminated plywood construction c/w stainless steel interior.
5. Exterior and trim plastic laminate - black.
6. Fan assisted self-contained refrigeration with hot gas condensate pan.
7. Smart digital temperature control with auto defrost.
8. 8 ' plug and cord.
9. 1 year parts and labour warranty.
10. CSA SPE-1000 code for electrical safety.

## OPTIONAL FEATURES

1. Custom exterior plastic laminate of choice.
2. Powder coated framework of choice.
3. Adjustable legs ( consult factory for size).
4. Heavy duty casters( height increase by 4").
5. Bumpers on front and sides.
6. Side glass defogging system.
7. Remote refrigeration.
8. Call factory for other options.

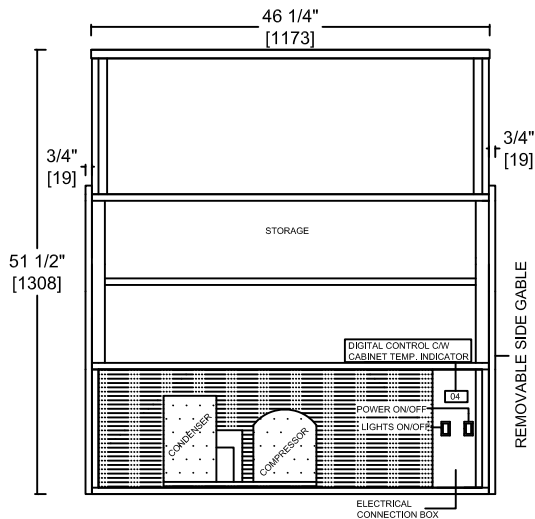
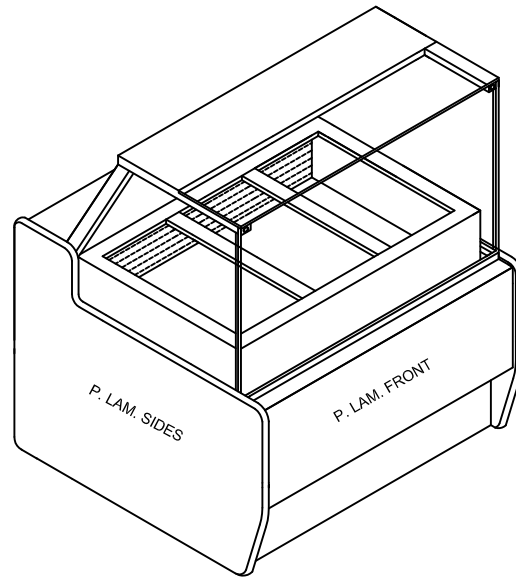
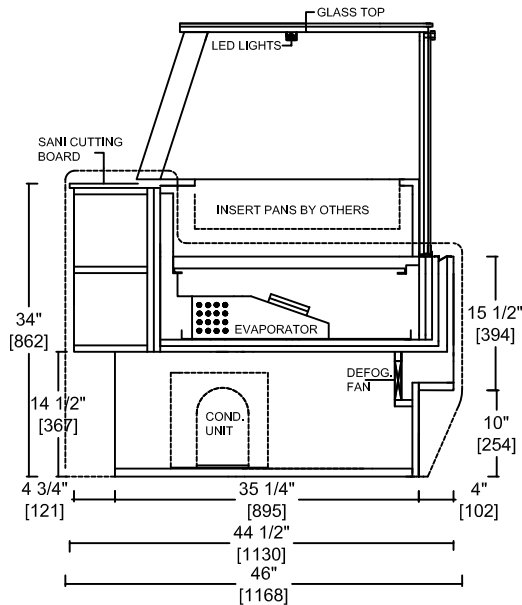


## SMART COOLING CONCEPTS INC.

14 MELANIE DR., UNIT 11, BRAMPTON, ON, CANADA, L6T 4L3  
Tell: 905-458-5340, Fax: 905-458-4424, Toll Free: 1-855-458-5840  
smartcoolingconcepts.com. email:garysohi@smartcoolingconcepts.com

# TRADITIONAL COLD FOOD TABLE - T3

PROJECT \_\_\_\_\_ ITEM \_\_\_\_\_ QTY \_\_\_\_\_



REAR VIEW 48" LONG UNIT SHOWN

## SPECIFICATION REFRIGERATED SELF CONTAINED

MODEL	LENGTH	H.P.	REF.	VOLTS	AMPS	PLUG	WT.
T3-38C	38"(965MM)	1/3	134A	115	9.0	5-15P	450
T3-48C	48"(1219MM)	1/3	134A	115	10.0	5-15P	540
T3-60C	60"(1524MM)	1/3	134A	115	10.5	5-20P	640
T3-74C	74"(1880MM)	1/2	134A	115	12.5	5-20P	720
T3-94C	94"(2388MM)	1/2	134A	115	14.5	5-20P	830

\* All specification subject to change without notice.

\*\* Case is designed to operate under normal store conditions of 24 degree C ( 75 degree F ) with 50% R.H. Case must not be placed under direct sunlight, extreme temperature changes, air conditioning diffusers, rapid air currents ,ovens , ceiling fans etc. It will effect case temperature. Refrigerated Cases are designed to maintained pre chilled products. Products entering above 4 degrees Celsius ( 41 degrees Fahrenheit) can affect the temperature in the entire cabinet. Any adverse field conditions stated above will void warranty. Front glass can fog up under hot and humid conditions.



## SMART COOLING CONCEPTS INC.

14 MELANIE DR., UNIT 11, BRAMPTON, ON, CANADA, L6T 4L3  
 Tell: 905-458-5340, Fax: 905-458-4424, Toll Free: 1-855-458-5840  
 smartcoolingconcepts.com. email:garysohi@smartcoolingconcepts.com