

PASSION MULTI DECK DRY CASE - P

LENGTHS; 38"L , 48"L, 60"L, 74"L , 94"L

DEPTH: 32 "

HEIGHT: 50½ "



STANDARD FEATURES

1. LED top light.
2. Tempered glass shelves c/w LED lights.
3. Tilt out front curved safety glass.
4. Clear anodized framework.
5. Exterior Plastic laminate - black.
6. Interior Plastic laminate - black.
7. 8' plug and cord.
8. 1 year parts and labour warranty.
9. CSA SPE-1000 electrical safety code.

OPTIONAL FEATURES

1. Custom exterior plastic laminate of choice.
2. Powder coated framework of choice.
3. Adjustable legs (consult factory for size).
4. Heavy duty casters(height increase by 4").
5. Bumpers on front and sides.
6. Call factory for other options.

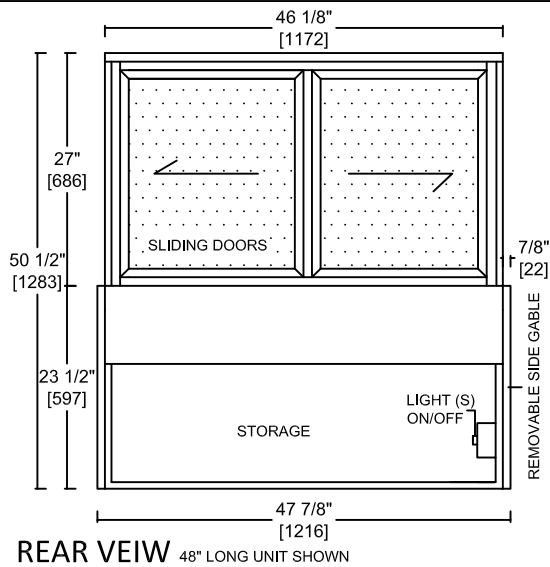
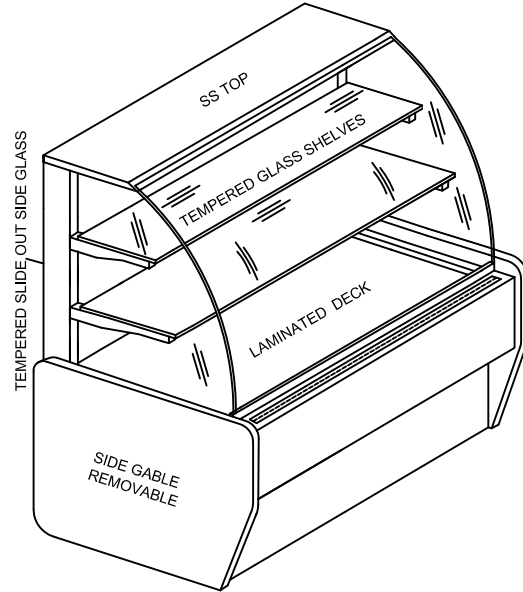
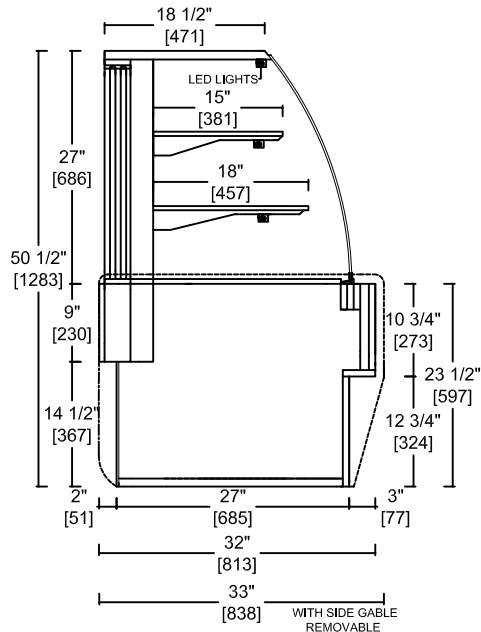


SMART COOLING CONCEPTS INC.

14 MELANIE DR., UNIT 11, BRAMPTON, ON, CANADA, L6T 4L3
Tell: 905-458-5340, Fax: 905-458-4424, Toll Free: 1-855-458-5840
smartcoolingconcepts.com. email:garysohi@smartcoolingconcepts.com

PASSION MULTI DECK DRY CASE - P

PROJECT _____ ITEM _____ QTY _____



SPECIFICATION DRY DISPLAY CASE

MODEL	LENGTH	VOLTS	AMPS	PLUG	WT.
P-38D	38"(965MM)	115	1.0	5-15P	290
P-48D	48"(1219MM)	115	1.5	5-15P	370
P-60D	60"(1524MM)	115	2.0	5-15P	420
P-74D	74"(1880MM)	115	2.5	5-15P	490
P-94D	94"(2388MM)	115	4.0	5-15P	610

* All specification subject to change without notice.



SMART COOLING CONCEPTS INC.

14 MELANIE DR., UNIT 11, BRAMPTON, ON, CANADA, L6T 4L3
 Tell: 905-458-5340, Fax: 905-458-4424, Toll Free: 1-855-458-5840
 smartcoolingconcepts.com. email:garysohi@smartcoolingconcepts.com