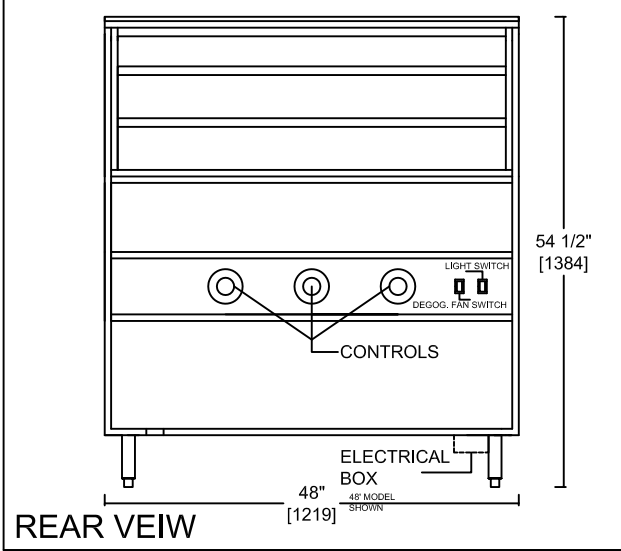
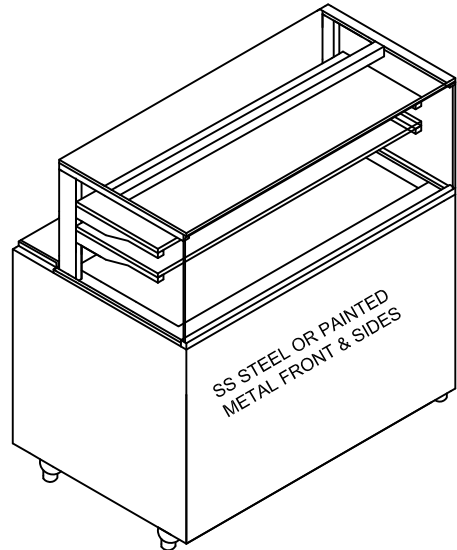
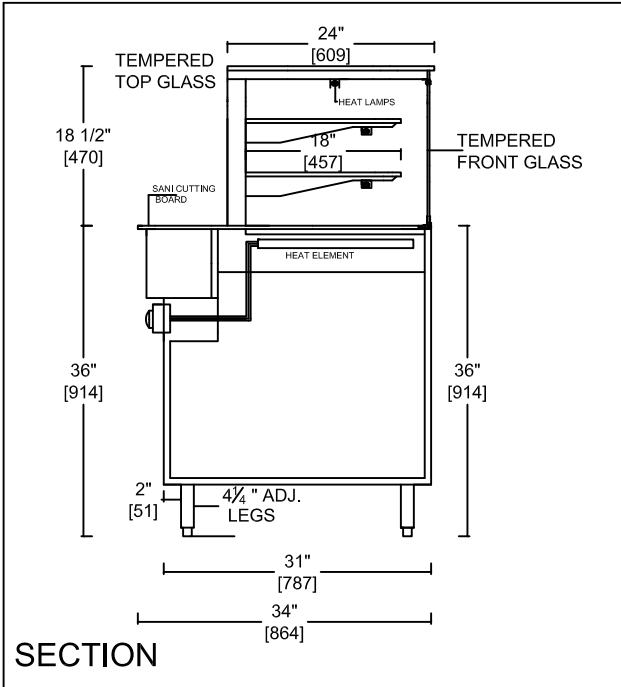


# TRADITIONAL CAFETERIA PIZZA DISPLAY - TP

PROJECT \_\_\_\_\_ ITEM \_\_\_\_\_ QTY \_\_\_\_\_



## SPECIFICATION

### PIZZA TABLE

MODEL	LENGTH	VOLTS	PHASE	HZ	AMPS	WT.
TP-24-HP	24"(914MM)	230	1	60	10.0	410
TP-36-HP	36"(1219MM)	230	1	60	12.0	470
TP-48-HP	48"(1524MM)	230	1	60	16.0	560
TP-60-HP	60"(1829MM)	230	1	60	20.0	640
TP-72-HP	72"(2438MM)	230	1	60	28.0	810

\* All specification subject to change without notice.



# SMART COOLING CONCEPTS INC.

11-14 MELENIE DRIVE, BRAMPTON, ONT. L6T 4L3  
 Tell: 905-458-5340, Fax: 905-458-4424, Toll Free: 1-855-458-5840  
 Website: smartcoolingconcepts.com. email: garysohi@smartcoolingconcepts.com