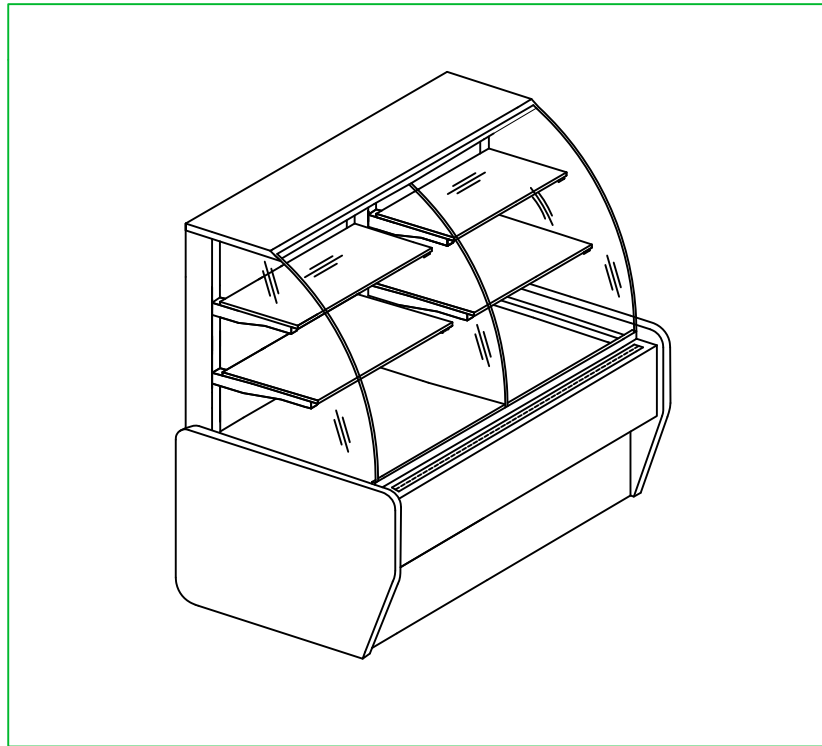


PASSION MULTI DECK DUAL CASE - P1

LENGTHS; 38"L , 48"L, 60"L, 74"L , 94"L

DEPTH: 28 $\frac{1}{8}$ "

HEIGHT: 50 $\frac{1}{2}$ "



STANDARD FEATURES

1. **LED** top light.
2. Tempered glass shelves c/w **LED** lights.
3. Tilt out front curved safety glass.
4. Front glass defogging system.
5. Clear anodized framework.
6. Thermo pane sliding doors.
7. Exterior plastic laminate - black
8. Interior Plastic laminate - black
9. Fan assisted self-contained refrigeration with hot gas condensate pan.
10. **Smart** digital temperature control with auto defrost.
11. 8 ' plug and cord.
12. 1 year parts and labour warranty.
13. CSA SPE-1000 electrical safety code.

OPTIONAL FEATURES

1. Custom exterior plastic laminate of choice.
2. Powder coated framework of choice.
3. Adjustable legs (consult factory for size).
4. Heavy duty casters(height increase by 4").
5. Bumpers on front and sides.
6. Side glass defogging system.
7. Remote refrigeration.
8. Call factory for other options.

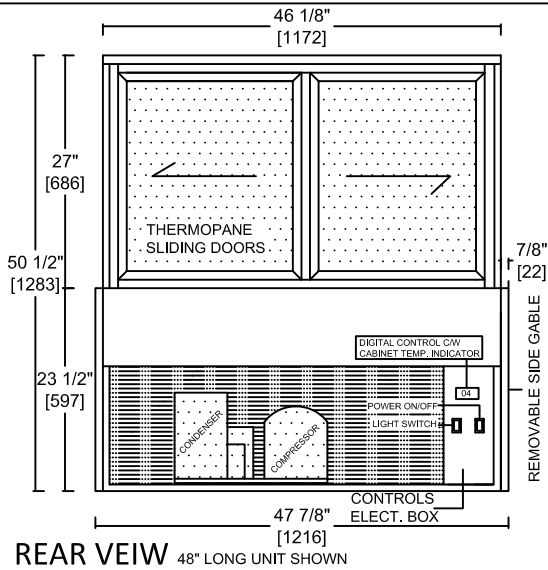
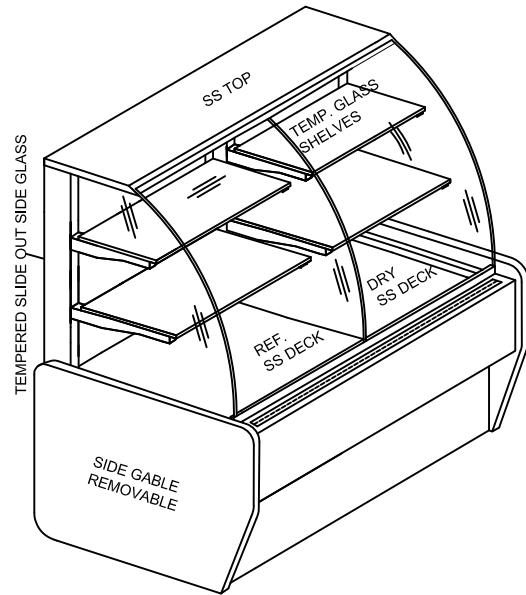
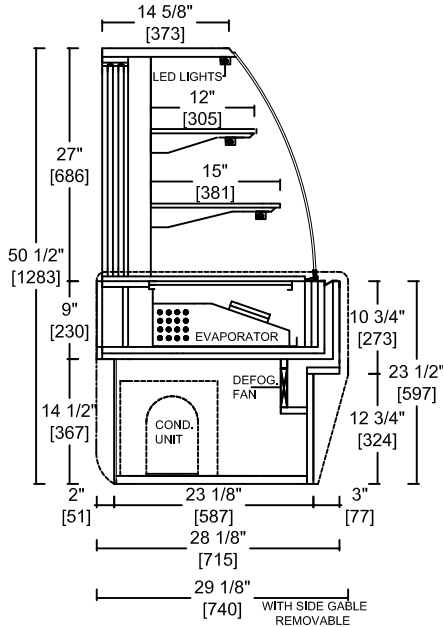


SMART COOLING CONCEPTS INC.

14 MELANIE DR., UNIT 11, BRAMPTON, ON, CANADA, L6T 4L3
Tell: 905-458-5340, Fax: 905-458-4424, Toll Free: 1-855-458-5840
smartcoolingconcepts.com. email:garysohi@smartcoolingconcepts.com

PASSION MULTI DECK DUAL CASE - P1

PROJECT _____ ITEM _____ QTY _____



SPECIFICATION DUAL CASE SELF CONTAINED

MODEL	LENGTH	H.P.	REF. VOLTS	AMPS	PLUG	WT.
P1-38RD	38"(1219MM)	1/3	134A	115	9.0	5-15P 390
P1-48RD	48"(1219MM)	1/3	134A	115	9.0	5-15P 440
P1-60RD	60"(1524MM)	1/3	134A	115	10.0	5-15P 560
P1-74RD	74"(1880MM)	1/3	134A	115	10.5	5-15P 670
P1-94RD	94"(2388MM)	1/3	134A	115	12.0	5-15P 790

* All specification subject to change without notice.

** Case is designed to operate under normal store conditions of 24 degree C (75 degree F) with 50% R.H. Case must not be placed under direct sunlight, extreme temperature changes, air conditioning diffusers, rapid air currents ,ovens , ceiling fans etc. It will effect case temperature. Refrigerated Cases are designed to maintained pre chilled products. Products entering above 4 degrees Celsius (41 degrees Fahrenheit) can affect the temperature in the entire cabinet. Any adverse field conditions stated above will void warranty. Front glass can fog up under hot and humid conditions.



SMART COOLING CONCEPTS INC.

14 MELANIE DR., UNIT 11, BRAMPTON, ON, CANADA, L6T 4L3
 Tell: 905-458-5340, Fax: 905-458-4424, Toll Free: 1-855-458-5840
 smartcoolingconcepts.com. email:garysohi@smartcoolingconcepts.com