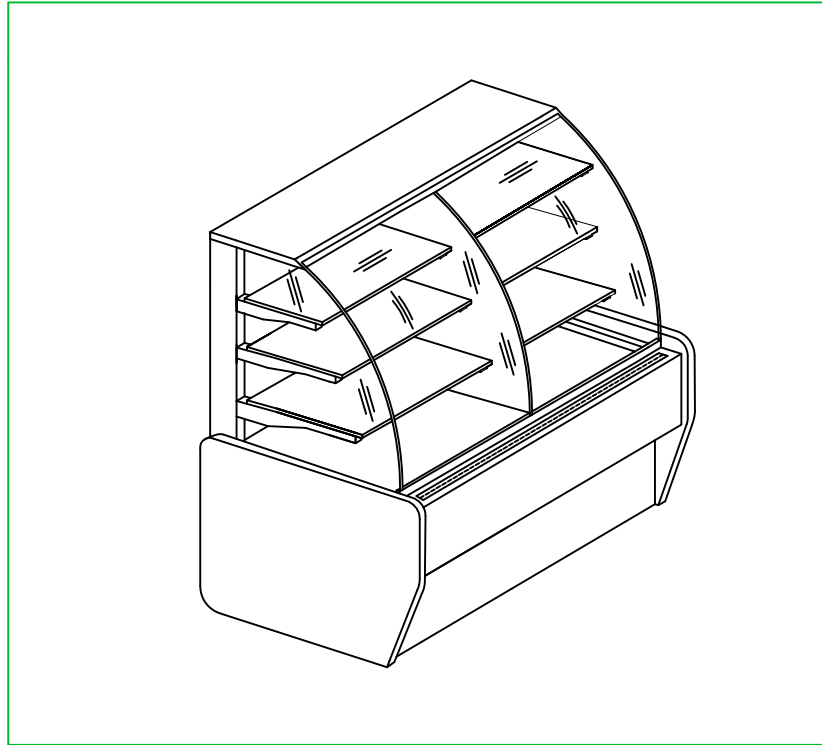


# PASSION MULTI DECK DUAL CASE - P2

LENGTHS; 38"L , 48"L, 60"L, 74"L , 94"L

DEPTH: 32"

HEIGHT: 54½ "



## STANDARD FEATURES

1. LED top light.
2. Tempered glass shelves c/w LED lights.
3. Tilt out front curved safety glass.
4. Front glass defogging system.
5. Clear anodized framework.
6. Thermo pane sliding doors.
7. Exterior plastic laminate - black
8. Interior Plastic laminate - black
9. Fan assisted self-contained refrigeration with hot gas condensate pan.
10. Smart digital temperature control with auto defrost.
11. 8 ' plug and cord.
12. 1 year parts and labour warranty.
13. CSA SPE-1000 code for electrical safety.

## OPTIONAL FEATURES

1. Custom exterior plastic laminate of choice.
2. Powder coated framework of choice.
3. Adjustable legs ( consult factory for size).
4. Heavy duty casters( height increase by 4").
5. Bumpers on front and sides.
6. Side glass defogging system.
7. Remote refrigeration.
8. Call factory for other options.

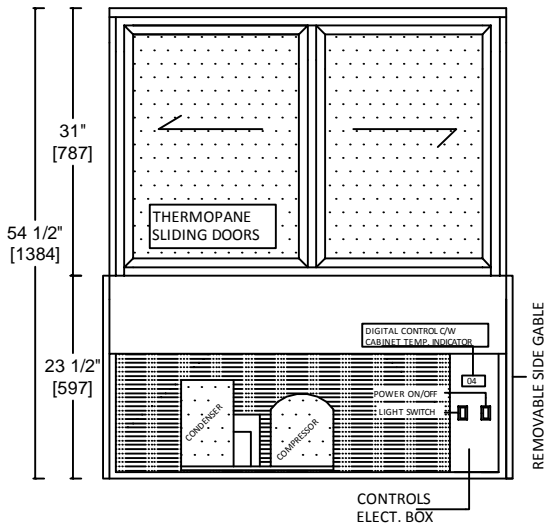
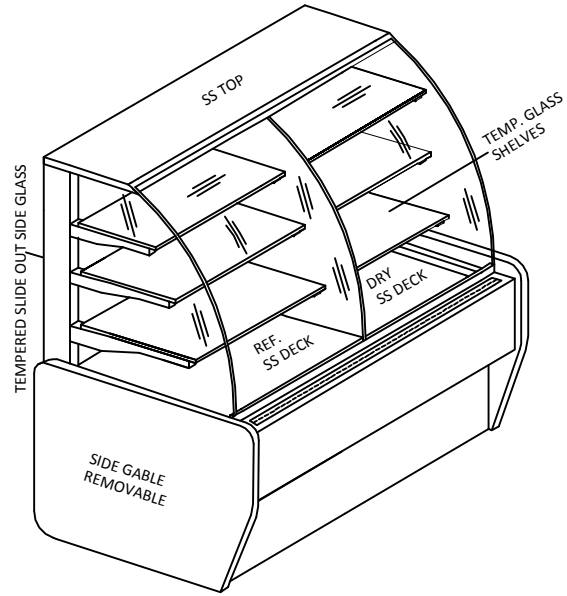
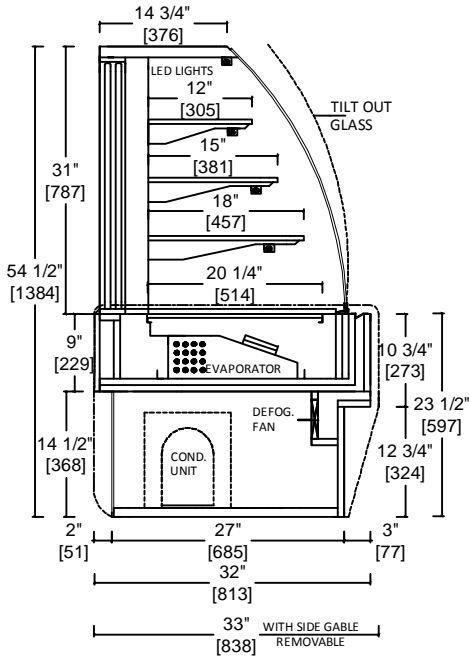


## SMART COOLING CONCEPTS INC.

14 MELANIE DR., UNIT 11, BRAMPTON, ON, CANADA, L6T 4L3  
Tell: 905-458-5340, Fax: 905-458-4424, Toll Free: 1-855-458-5840  
smartcoolingconcepts.com. email:garysohi@smartcoolingconcepts.com

# PASSION MULTI DECK DUAL CASE - P2

PROJECT \_\_\_\_\_ ITEM \_\_\_\_\_ QTY \_\_\_\_\_



REAR VIEW 48" LONG UNIT SHOWN

## SPECIFICATION DUAL CASE SELF CONTAINED

| MODEL   | LENGTH      | H.P. | REF. | VOLTS | AMPS | PLUG  | WT. |
|---------|-------------|------|------|-------|------|-------|-----|
| P2-48RD | 48"(1219MM) | 1/3  | 134A | 115   | 9.0  | 5-15P | 440 |
| P2-60RD | 60"(1524MM) | 1/3  | 134A | 115   | 10.0 | 5-15P | 560 |
| P2-74RD | 74"(1880MM) | 1/3  | 134A | 115   | 10.5 | 5-15P | 670 |
| P2-94RD | 94"(2388MM) | 1/3  | 134A | 115   | 12.0 | 5-15P | 790 |

- \* All specification subject to change without notice.
- \*\* Case is designed to operate under normal store conditions of 24 degree C ( 75 degree F ) with 50% R.H. Case must not be placed under direct sunlight, extreme temperature changes, air conditioning diffusers, rapid air currents,ovens , ceiling fans etc. It will effect case temperature. Refrigerated Cases are designed to maintained pre chilled products. Products entering above 4 degrees Celsius ( 41 degrees Fahrenheit) can affect the temperature in the entire cabinet. Any adverse field conditions stated above will void warranty. Front glass can fog up under hot and humid conditions.



## SMART COOLING CONCEPTS INC.

14 MELANIE DR., UNIT 11, BRAMPTON, ON, CANADA, L6T 4L3

Tell: 905-458-5340, Fax: 905-458-4424, Toll Free: 1-855-458-5840

smartcoolingconcepts.com. email:garysohi@smartcoolingconcepts.com