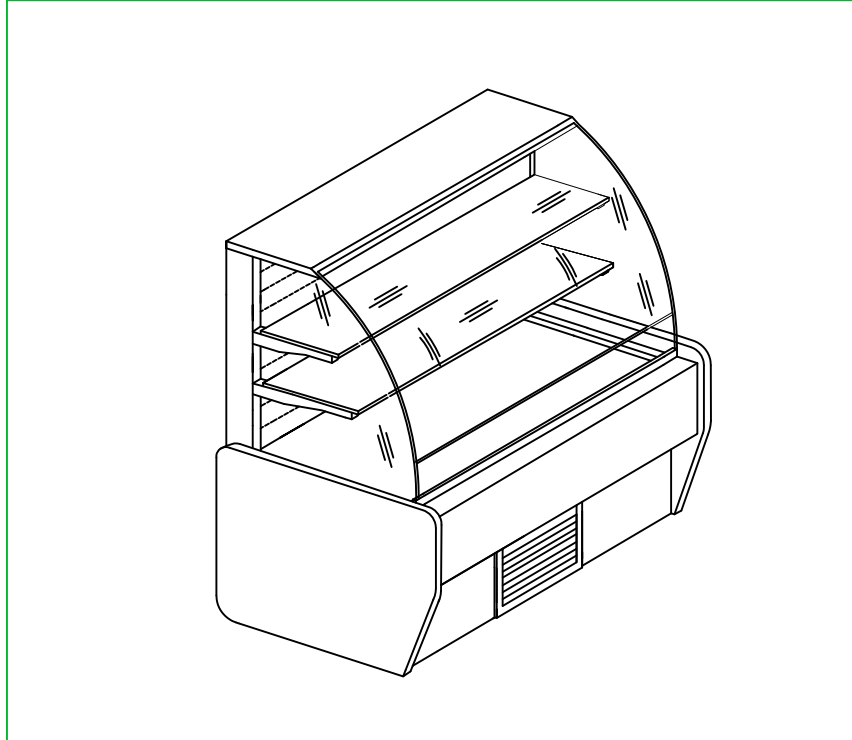


PASSION MULTI DECK GRAB & GO - P1

LENGTHS; 38"L , 48"L, 60"L, 74"L , 94"L

DEPTH: 28 $\frac{1}{8}$ "

HEIGHT: 50 $\frac{1}{2}$ "



STANDARD FEATURES

1. LED top light.
2. Tempered glass shelves c/w LED lights.
3. Clear anodized framework.
4. Exterior plastic laminate - black
5. Interior Plastic laminate - black
6. Fan assisted self-contained refrigeration.
7. Smart digital temperature control with auto defrost.
8. 1 year parts and labour warranty.
9. CSA SPE-1000 code for electrical safety.

OPTIONAL FEATURES

1. Custom exterior plastic laminate of choice.
2. Powder coated framework of choice.
3. Adjustable legs (consult factory for size).
4. Heavy duty casters(height increase by 4").
5. Bumpers on front and sides.
6. Condensate evaporator pan.
7. Remote refrigeration.
8. Pass thru rear hinged doors.
9. Call factory for other options.

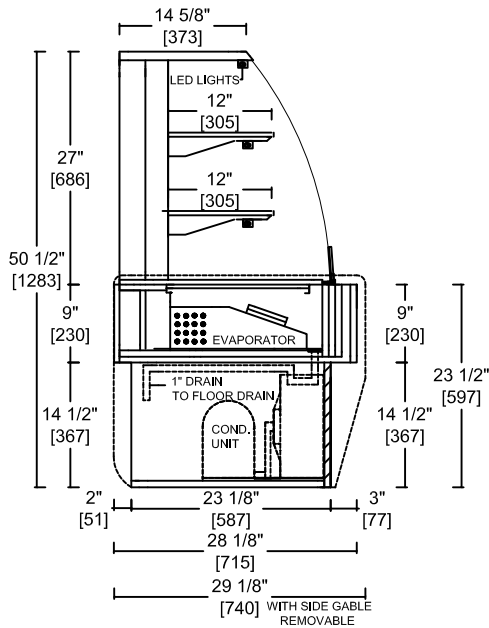


SMART COOLING CONCEPTS INC.

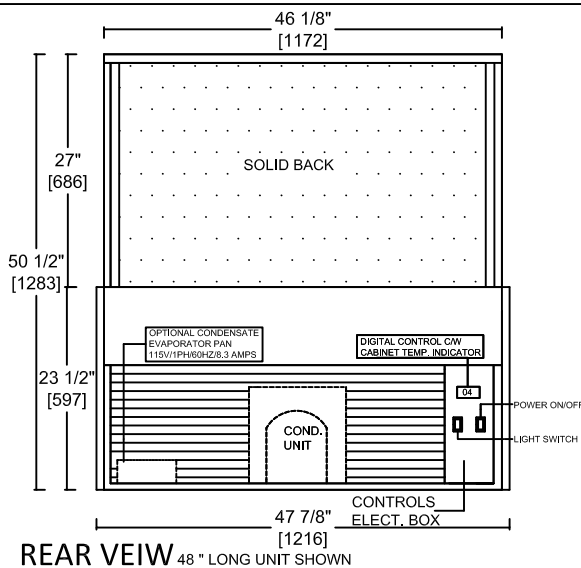
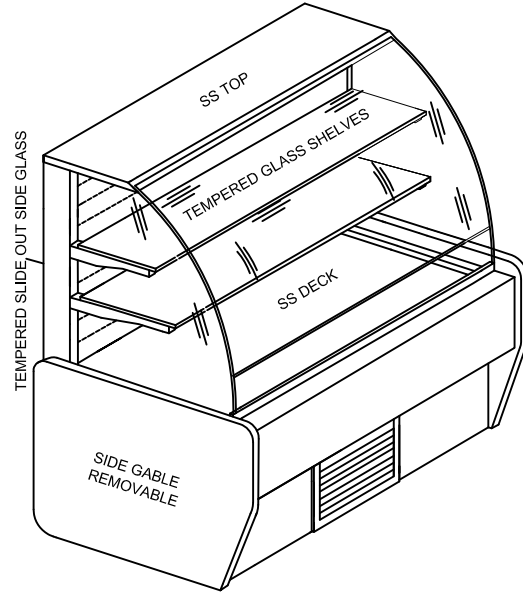
14 MELANIE DR., UNIT 11, BRAMPTON, ON, CANADA, L6T 4L3
Tell: 905-458-5340, Fax: 905-458-4424, Toll Free: 1-855-458-5840
smartcoolingconcepts.com. email:garysohi@smartcoolingconcepts.com

PASSION MULTI DECK REF.GRAB & GO - P1

PROJECT _____ ITEM _____ QTY _____



* HEIGHT INCREASE TO 58" FOR 74" & 94" LONG UNITS TO FIT CONDENSING UNIT



REAR VIEW 48" LONG UNIT SHOWN

SPECIFICATION

REFRIGERATED SELF CONTAINED

MODEL	LENGTH	H.P.	REF.	VOLTS	AMPS	PLUG	WT.
P1-38RG	38"(965MM)	1/2	404A	115	14.0	5-20P	490
P1-48RG	48"(1219MM)	3/4	404A	230	0 9.5	DC	570
P1-60RG	60"(1524MM)	3/4	404A	230	10.0	DC	690
P1-74RG*	74"(1880MM)	1 1/4	404A	230	14.0	DC	780
P1-94RG*	94"(2388MM)	1 1/4	404A	230	14.5	DC	870

OPTIONAL :- CONDENSATE EVAPORATOR PAN 115V/1 PH/60HZ/8.3AMPS

* Height increased to 54 1/2" due to increased height of condensing unit.

** All specification subject to change without notice.

Case is designed to operate under normal store conditions of 24 degree C (75 degree F) with 50% R.H. Case must not be placed under direct sunlight, extreme temperature changes, air conditioning diffusers, rapid air currents ,ovens , ceiling fans etc. It will effect case temperature. Refrigerated Cases are designed to maintained pre chilled products. Products entering above 4 degrees Celsius (41 degrees Fahrenheit) can affect the temperature in the entire cabinet. Any adverse field conditions stated above will void warranty.



SMART COOLING CONCEPTS INC.

14 MELANIE DR., UNIT 11, BRAMPTON, ON, CANADA, L6T 4L3
 Tell: 905-458-5340, Fax: 905-458-4424, Toll Free: 1-855-458-5840
 smartcoolingconcepts.com. email:garysohi@smartcoolingconcepts.com