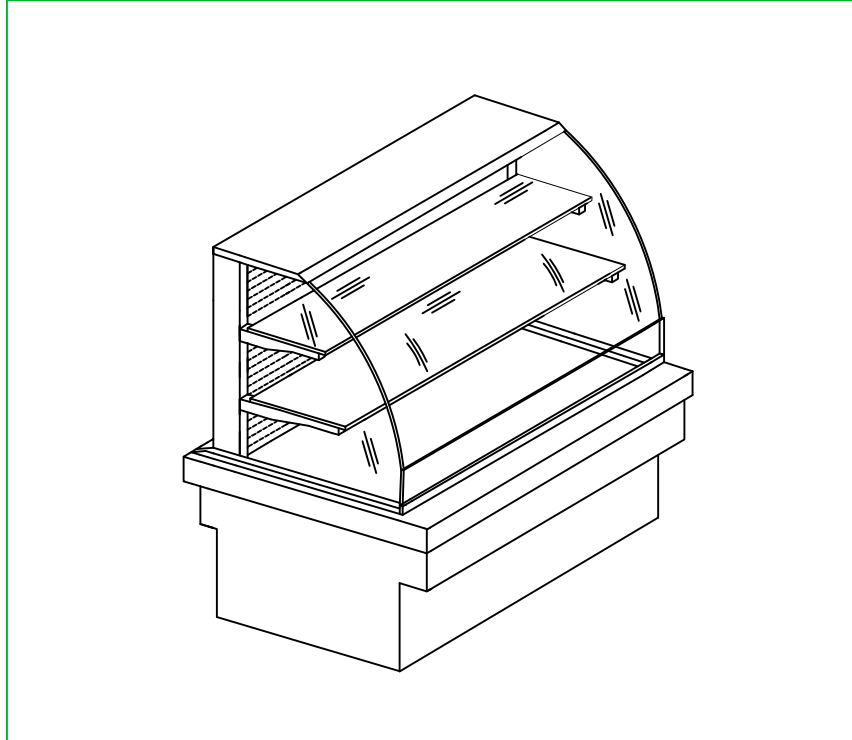


PASSION COUNTER TOP GRAB & GO - P6

LENGTHS; 38"L , 48"L, 60"L, 74"L , 94"L DEPTH: 28 $\frac{1}{8}$ " HEIGHT: 29 $\frac{3}{4}$ " FROM COUNTERTOP



STANDARD FEATURES

1. **LED** top light.
2. Tempered glass shelves c/w **LED** lights.
3. Clear anodized framework.
4. Laminated plywood construction c/w stainless steel interior.
5. Exterior and trim plastic laminate - black.
6. Fan assisted self-contained refrigeration.
7. **Smart** digital temperature control with auto defrost.
8. 1 year parts and labour warranty.
9. CSA SPE-1000 code for electrical safety.

OPTIONAL FEATURES

1. Custom exterior plastic laminate of choice.
2. Powder coated framework of choice.
3. Condensate evaporator pan.
4. Remote refrigeration.
5. Call factory for other options.

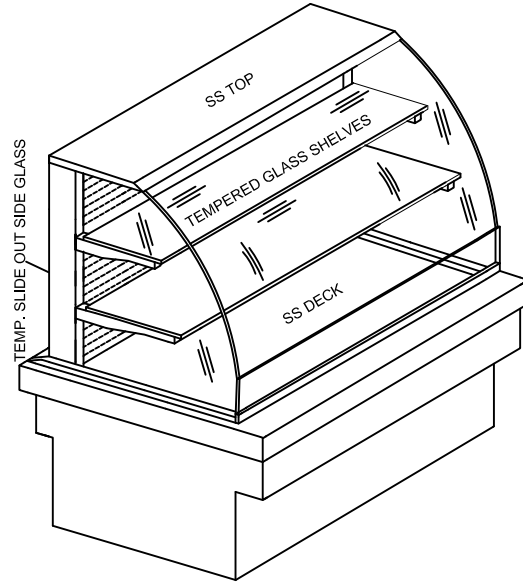
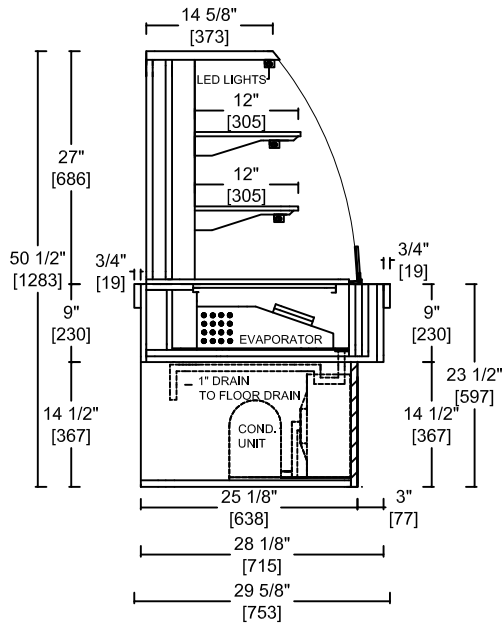


SMART COOLING CONCEPTS INC.

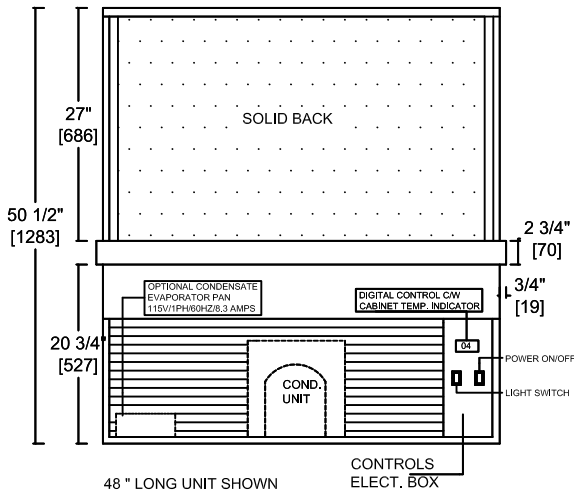
14 MELANIE DR., UNIT 11, BRAMPTON, ON, CANADA, L6T 4L3
Tell: 905-458-5340, Fax: 905-458-4424, Toll Free: 1-855-458-5840
smartcoolingconcepts.com. email:garysohi@smartcoolingconcepts.com

PASSION COUNTERTOP DROP-IN GRAB & GO-P6

PROJECT _____ ITEM _____ QTY _____



SECTION



REAR VIEW

SPECIFICATION

REF. GRAB & GO SELF CONTAINED

MODEL	LENGTH	H.P.	REF. VOLTS	AMPS	CUT OUT	WT.
P6-38RG	38"(965MM)	1/2	404A	115	14.0	36 1/4" X 28 3/8" 390
P6-48RG	48"(1219MM)	3/4	404A	230	10.0	46 1/4" X 28 3/8" 470
P6-60RG	60"(1524MM)	3/4	404A	230	11.0	58 1/4" X 28 3/8" 590
P6-74RG	74"(1880MM)	1 1/4	404A	230	16.0	72 1/4" X 28 3/8" 680
P6-94RG	94"(2388MM)	1 1/4	404A	230	17.0	92 1/4" X 28 3/8" 770

OPTIONAL :- CONDENSATE EVAPORATOR PAN 115V/1 PH/60HZ/8.3AMPS

* Base height increased to 27 1/2" due to increased height of condensing unit.

** All specification subject to change without notice.

Case is designed to operate under normal store conditions of 24 degree C (75 degree F) with 50% R.H. Case must not be placed under direct sunlight, extreme temperature changes, air conditioning diffusers, rapid air currents ,ovens , ceiling fans etc. It will effect case temperature. Refrigerated Cases are designed to maintained pre chilled products. Products entering above 4 degrees Celsius (41 degrees Fahrenheit) can affect the temperature in the entire cabinet. Any adverse field conditions stated above will void warranty. Front glass can fog up under hot and humid conditions.



SMART COOLING CONCEPTS INC.

14 MELANIE DR., UNIT 11, BRAMPTON, ON, CANADA, L6T 4L3

Tell: 905-458-5340, Fax: 905-458-4424, Toll Free: 1-855-458-5840

smartcoolingconcepts.com. email:garysohi@smartcoolingconcepts.com