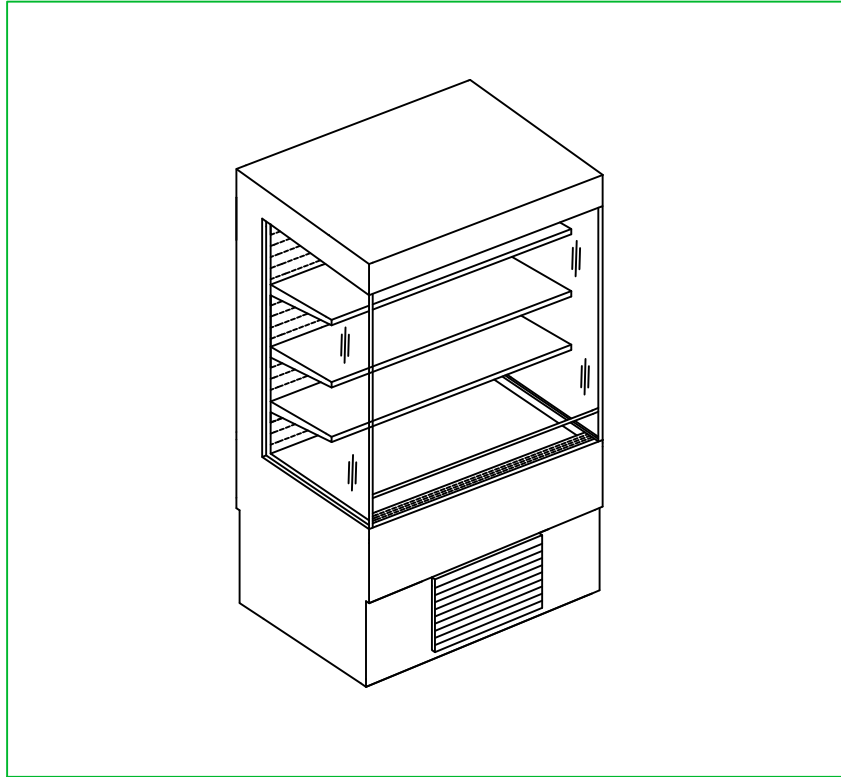


GRAB & GO REFRIGERATED - G7

LENGTHS; 36"L , 48"L, 60"L, 72"L , 96"L

DEPTH: 30"

HEIGHT: 82 "



STANDARD FEATURES

1. LED top light.
2. Clear anodized framework.
3. Exterior plastic laminate - black
4. Interior Plastic laminate - black
5. Fan assisted self-contained refrigeration.
6. Smart digital temperature control with auto defrost.
7. 1 year parts and labour warranty.
8. Tested to CSA and UL safety standards.

OPTIONAL FEATURES

1. Custom exterior plastic laminate of choice.
2. Powder coated framework of choice.
3. Adjustable legs (consult factory for size).
4. Heavy duty casters(height increase by 4").
5. Bumpers on front and sides.
6. Smart float assisted condensate evaporator pan.
7. Remote refrigeration.
8. Call factory for other options.



SMART COOLING CONCEPTS INC.

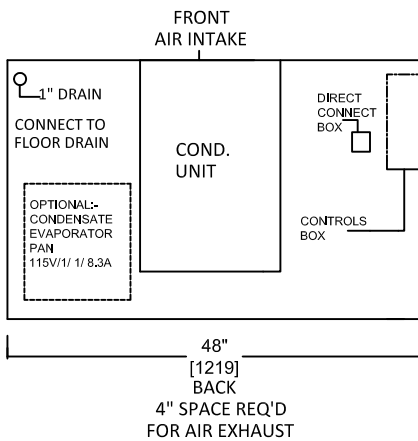
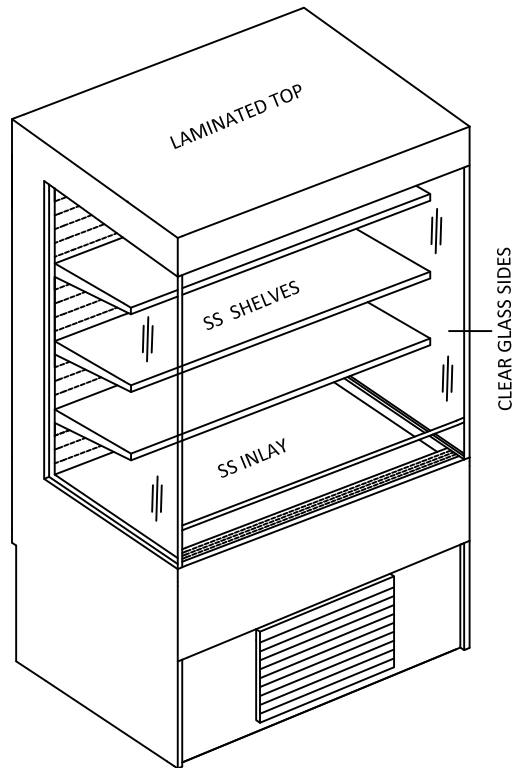
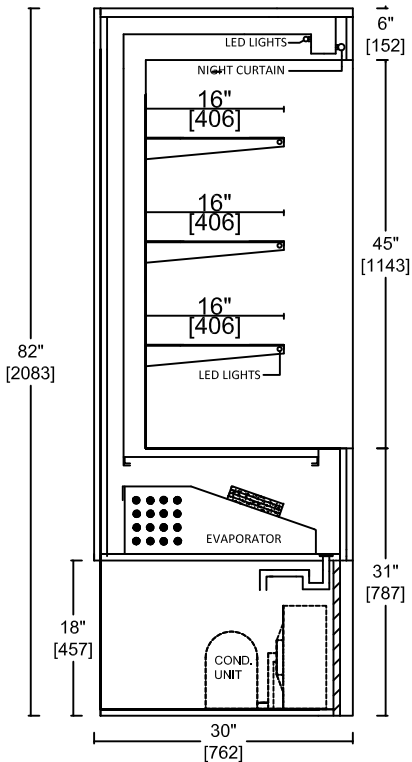
11-14 MELANIE DRIVE, BRAMPTON, ON, CANADA, L6T 4L3

Tell: 905-458-5340, Fax: 905-458-4424, Toll Free: 1-855-458-5840

smartcoolingconcepts.com. email:garysohi@smartcoolingconcepts.com

GRAB & GO REFRIGERATED MULTI DECK - G7

PROJECT _____ ITEM _____ QTY _____



48" LONG CASE SHOWN AS AN EXAMPLE

SPECIFICATION REFRIGERATED GRAB & GO

MODEL	LENGTH	H.P.	REF.	VOLTS	AMPS	WT.
G7-36R	36"(914MM)	$\frac{3}{4}$	404A	230	10.5	490
G7-48R	48"(1219MM)	$\frac{3}{4}$	404A	230	11.0	570
G7-60R	60"(1524MM)	$1\frac{1}{4}$	404A	230	15.0	680
G7-72R	72"(1778MM)	$1\frac{1}{2}$	404A	230	18.5	770
G7-96R	96"(2438MM)	2	404A	230	22.5	970

* All specification subject to change without notice.

** Case is designed to operate under normal store conditions of 24 degree C (75 degree F) with 50% R.H. Case must not be placed under direct sunlight, extreme temperature changes, air conditioning diffusers, rapid air currents , ovens , ceiling fans etc. It will effect case temperature. Refrigerated Cases are designed to maintained pre chilled products. Products entering above 4 degrees Celcius (41 degrees Farenheit) can affect the temperature in the entire cabinet. Interior metal parts can sweat under hot and humid conditions. Any adverse field conditions stated above will void warranty.



SMART COOLING CONCEPTS INC.

11-14 MELANIE DRIVE, BRAMPTON, ON., CANADA, L6T 4L3

Tell: 905-458-5340, Fax: 905-458-4424, Toll Free: 1-855-458-5840

Website: smartcoolingconcepts.com. email: garysohi@smartcoolingconcepts.com