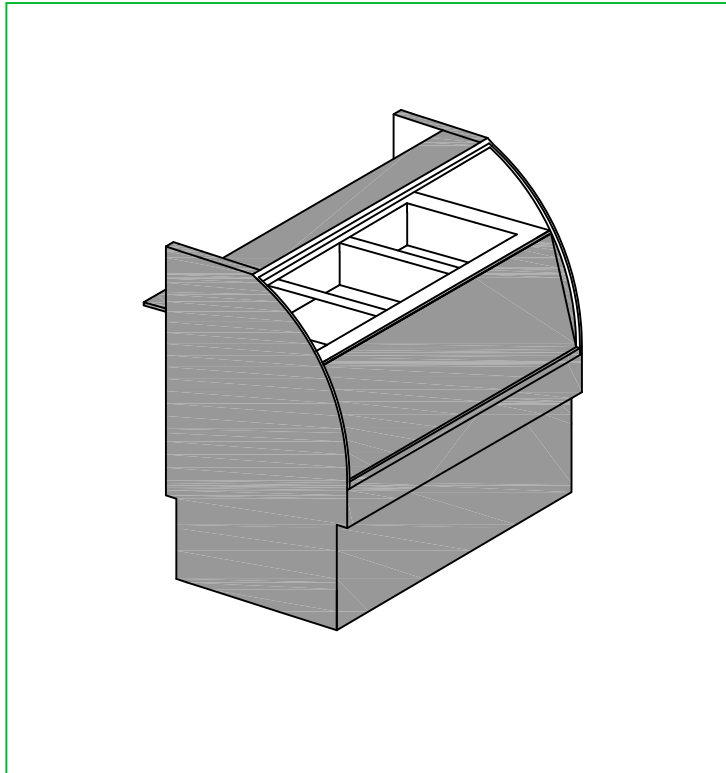


# PASSION HOT FOOD CASE - P5

LENGTHS; 38"L , 48"L, 60"L, 74"L , 94"L

DEPTH: 32"

HEIGHT: 48"



## STANDARD FEATURES

1. T5 top light.
2. Tilt out front curved safety glass.
3. Clear anodized framework.
4. Laminated plywood construction c/w stainless steel interior.
5. Exterior & trim plastic laminate - black.
6. 1 year parts and labour warranty.
7. CSA SPE-1000 electrical safety code.

## OPTIONAL FEATURES

1. Custom exterior plastic laminate of choice.
2. Powder coated framework of choice.
3. LED top light.
4. Adjustable legs ( consult factory for size).
5. Heavy duty casters( height increase by 4").
7. Bumpers on front and sides.
8. Call factory for other options.

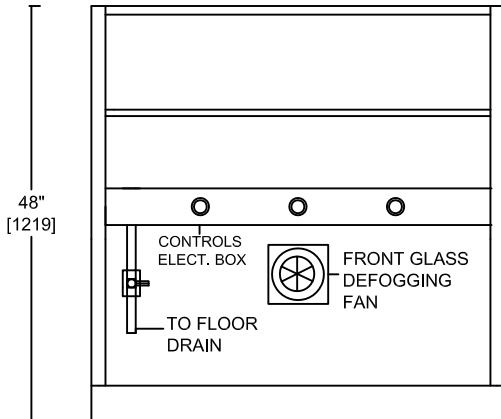
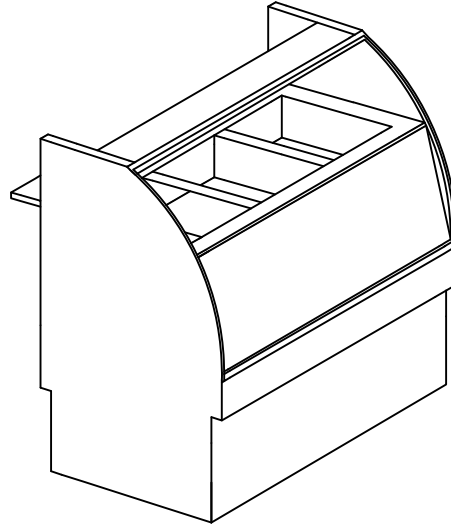
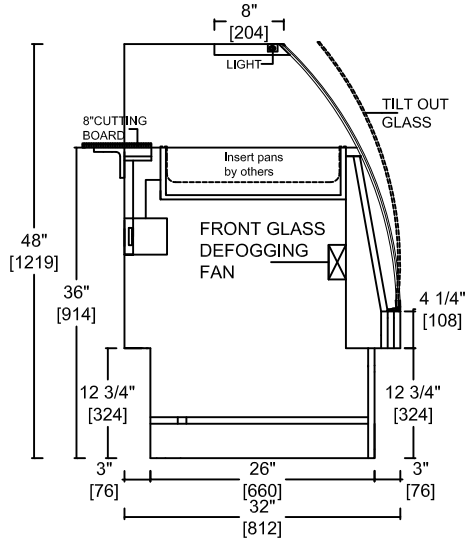


## SMART COOLING CONCEPTS INC.

14 MELANIE DR., UNIT 11, BRAMPTON, ON, CANADA, L6T 4L3  
Tell: 905-458-5340, Fax: 905-458-4424, Toll Free: 1-855-458-5840  
smartcoolingconcepts.com. email:garysohi@smartcoolingconcepts.com

# PASSION REF. SALAD/ SANDWICH CASE - P5

PROJECT \_\_\_\_\_ ITEM \_\_\_\_\_ QTY \_\_\_\_\_



REAR VIEW 48" LONG UNIT SHOWN

## SPECIFICATION

### HOT FOOD TABLE

MODEL	LENGTH	VOLTS	PHASE	HZ	AMPS	WT.
P5-38-2H	36"(914MM)	230	1	60	12.0	410
P5-48-3H	48"(1219MM)	230	1	60	18.0	470
P5-60-4H	60"(1524MM)	230	1	60	24.0	560
P5-74-5H	72"(1829MM)	230	1	60	30.0	640
P5-94-6H	96"(2438MM)	230	1	60	36.0	810

\* All specification subject to change without notice.



## SMART COOLING CONCEPTS INC.

14 MELANIE DR., UNIT 11, BRAMPTON, ON, CANADA, L6T 4L3  
 Tell: 905-458-5340, Fax: 905-458-4424, Toll Free: 1-855-458-5840  
 smartcoolingconcepts.com. email:garysohi@smartcoolingconcepts.com