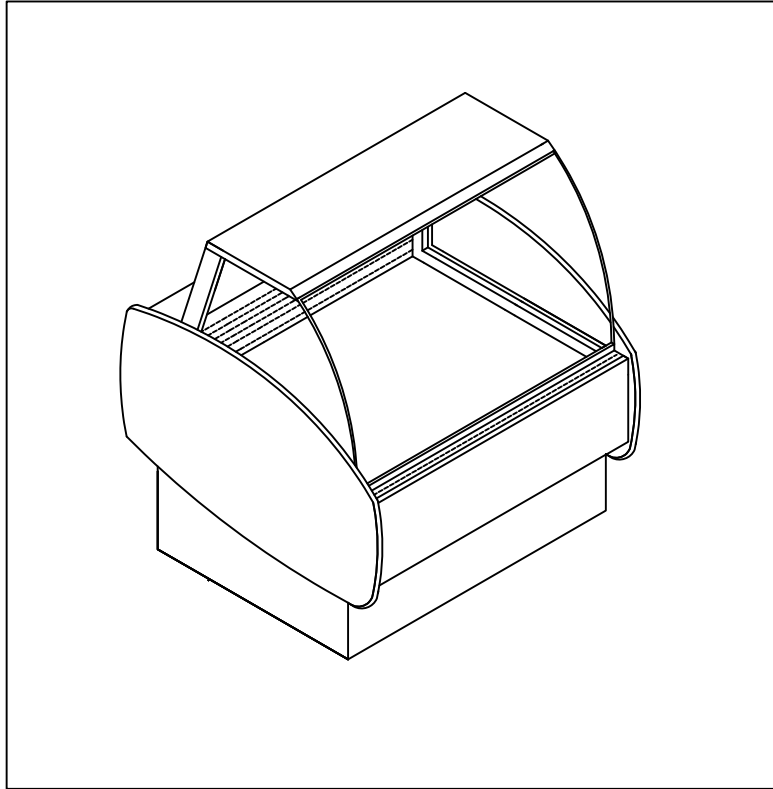


# PASSION SINGLE DECK DELI CASE - P3

LENGTHS; 38"L , 48"L, 60"L, 74"L , 94"L

DEPTH: 44½"

HEIGHT: 51½ "



## STANDARD FEATURES

1. LED top light.
2. Tempered glass shelves c/w LED lights.
3. Tilt out front curved safety glass.
4. Front glass defogging system.
5. Clear anodized framework.
6. Thermo pane sliding doors.
7. Laminated plywood construction c/w stainless steel interior.
8. Exterior and trim plastic laminate - black.
9. Fan assisted self-contained refrigeration with hot gas condensate pan.
10. Smart digital temperature control with auto defrost.
11. 8' plug and cord.
12. 1 year parts and labour warranty.
13. CSA SPE-1000 code for electrical safety.

## OPTIONAL FEATURES

1. Custom exterior plastic laminate of choice.
2. Powder coated framework of choice.
3. Adjustable legs ( consult factory for size).
4. Heavy duty casters( height increase by 4").
5. Bumpers on front and sides.
6. Side glass defogging system.
7. Stainless steel step.
8. Remote refrigeration.
9. Call factory for other options.



## SMART COOLING CONCEPTS INC.

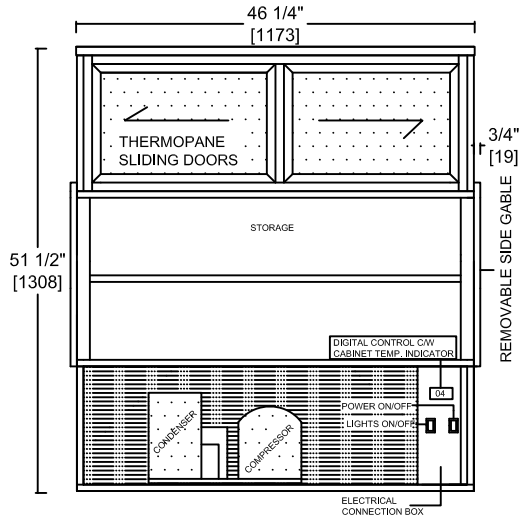
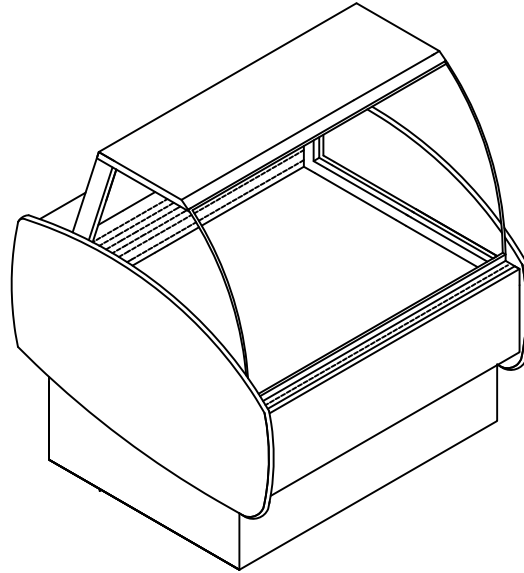
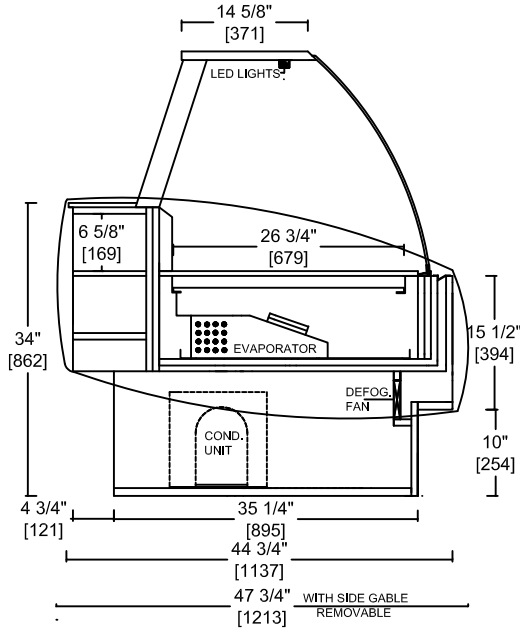
14 MELANIE DR., UNIT 11, BRAMPTON, ON, CANADA, L6T 4L3

Tell: 905-458-5340, Fax: 905-458-4424, Toll Free: 1-855-458-5840

smartcoolingconcepts.com. email:garysohi@smartcoolingconcepts.com

# PASSION SINGLE REF. DELI CASE - P3

PROJECT \_\_\_\_\_ ITEM \_\_\_\_\_ QTY \_\_\_\_\_



REAR VIEW 48" LONG UNIT SHOWN

## SPECIFICATION

### REFRIGERATED SELF CONTAINED

MODEL	LENGTH	H.P.	REF.	VOLTS	AMPS	PLUG	WT.
P3-38RD	38"(965MM)	1/3	134A	115	9.0	5-15P	490
P3-48RD	48"(1219MM)	1/3	134A	115	10.0	5-15P	570
P3-60RD	60"(1524MM)	1/3	134A	115	12.0	5-20P	690
P3-74RD	74"(1880MM)	1/2	134A	115	13.5	5-20P	780
P3-94RD	94"(2388MM)	1/2	134A	115	14.0	5-20P	870

\* All specification subject to change without notice.

\*\* Case is designed to operate under normal store conditions of 24 degree C ( 75 degree F ) with 50% R.H. Case must not be placed under direct sunlight, extreme temperature changes, air conditioning diffusers, rapid air currents ,ovens , ceiling fans etc. It will effect case temperature. Refrigerated Cases are designed to maintained pre chilled products. Products entering above 4 degrees Celsius ( 41 degrees Fahrenheit) can affect the temperature in the entire cabinet. Any adverse field conditions stated above will void warranty. Front glass can fog up under hot and humid conditions.



## SMART COOLING CONCEPTS INC.

14 MELANIE DR., UNIT 11, BRAMPTON, ON, CANADA, L6T 4L3  
 Tell: 905-458-5340, Fax: 905-458-4424, Toll Free: 1-855-458-5840  
 smartcoolingconcepts.com. email:garysohi@smartcoolingconcepts.com